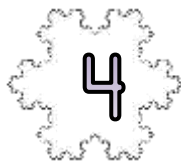
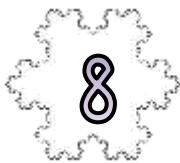
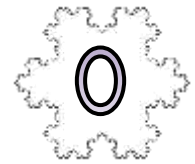
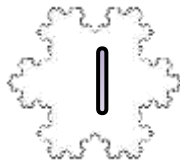




SNOWFLAKE ADDING MAZE 2A: TARGET 18

- Start the maze with zero.
- Add on the number on each snowflake as you go.
- You have to get to the finish with a total of 18.
- You must follow one of the arrows each time.

START



END

Write down the numbers in the route here:

$$\underline{\quad} + \underline{\quad} + \underline{\quad} + \underline{\quad} = 18$$

Extra Challenge

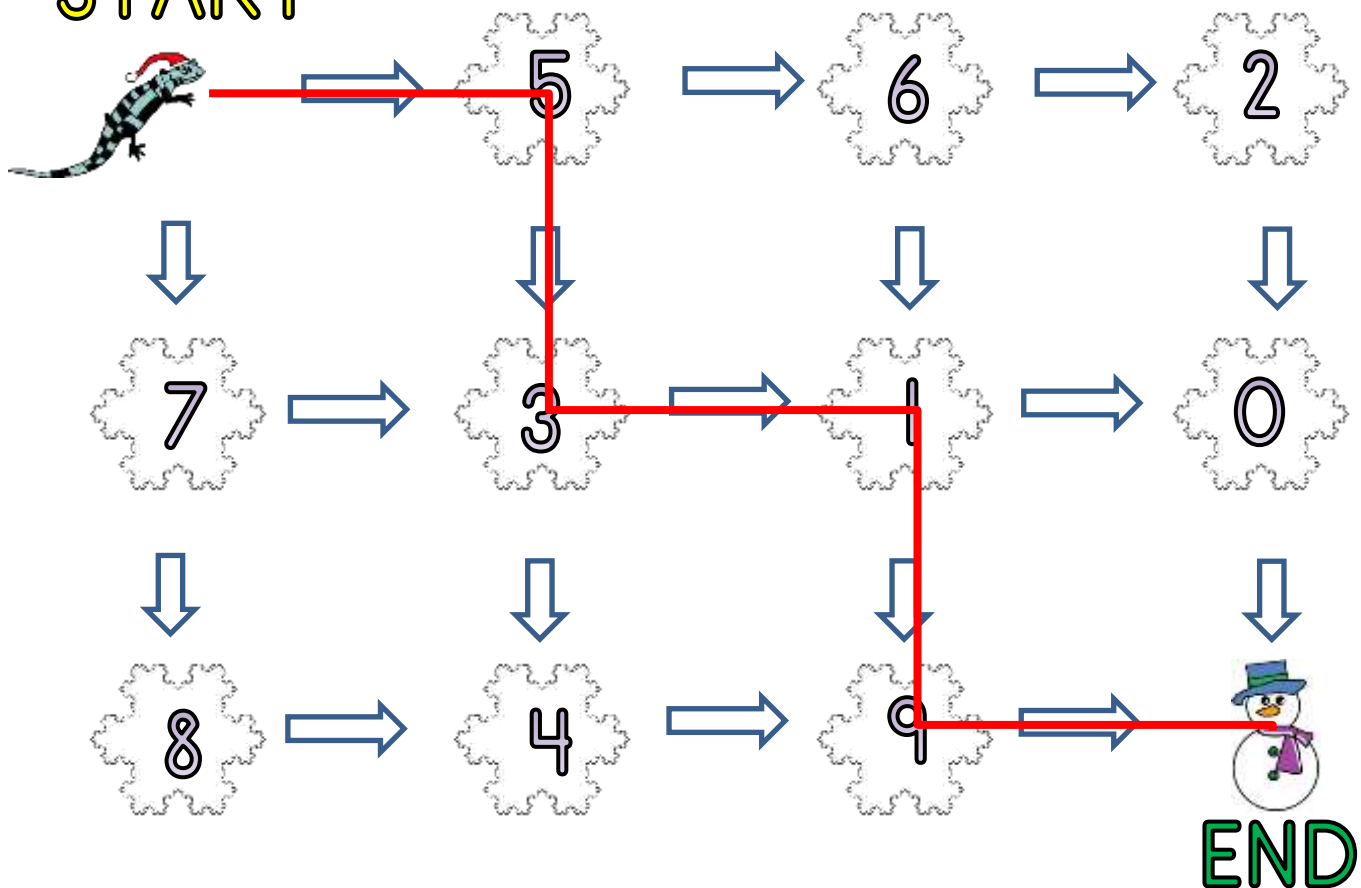
Find the route with the **highest** total. $\underline{\quad} + \underline{\quad} + \underline{\quad} + \underline{\quad} = \underline{\quad}$



SNOWFLAKE ADDING MAZE 2A: ANSWERS

- Start the maze with zero.
- Add on the number on each snowflake as you go.
- You have to get to the finish with a total of 18.
- You must follow one of the arrows each time.

START



Write down the numbers in the route here:

$$\underline{5} + \underline{3} + \underline{1} + \underline{9} = 18$$

Extra Challenge

Find the route with the **highest** total. $\underline{7} + \underline{8} + \underline{4} + \underline{9} = \underline{28}$