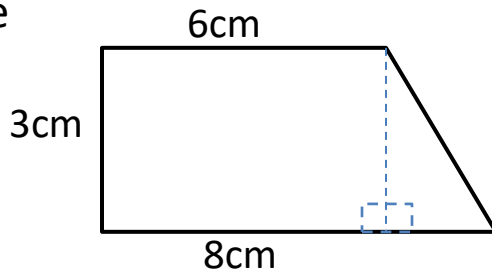




TRAPEZOID AREA SHEET 1

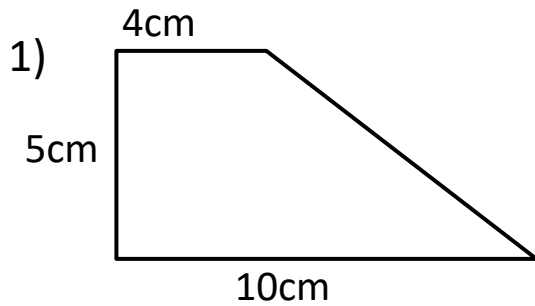
Find the area of these trapezoids by splitting them up into rectangles and triangles. They are not drawn to scale.

Example

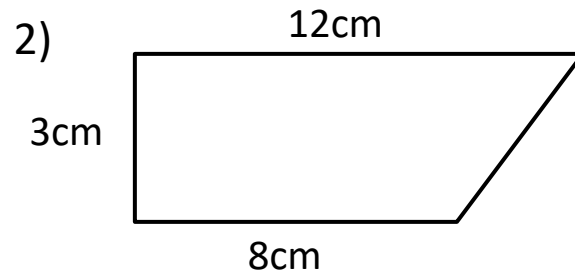


Area = area of rectangle + area of triangle

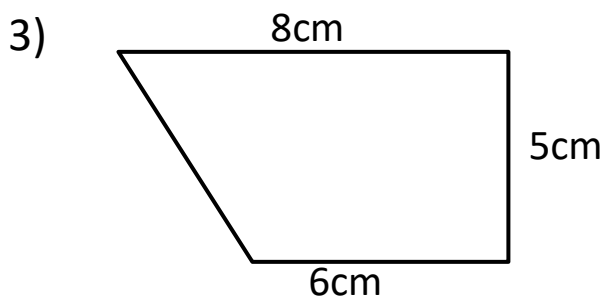
$$\text{Area} = 6 \times 3 + \frac{1}{2} \times 2 \times 3 = 18 + 3 = 21\text{cm}^2$$



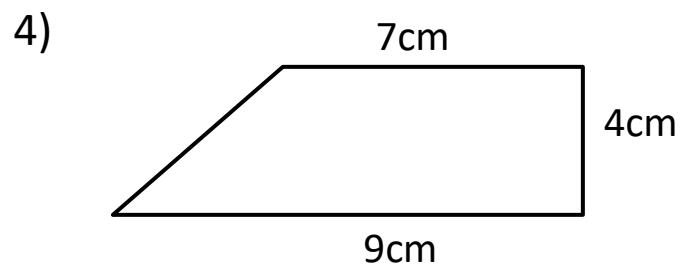
Area = _____ cm^2



Area = _____ cm^2



Area = _____ cm^2



Area = _____ cm^2

Handy hint:

The formula for the area of a trapezoid is

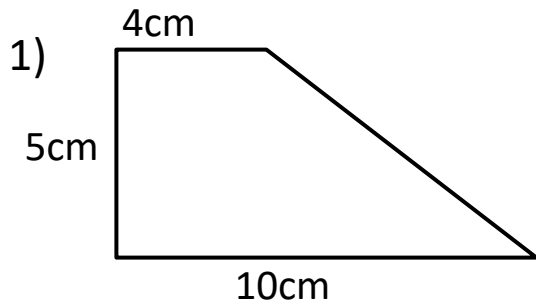
$$\frac{1}{2} \times (\text{length1} + \text{length2}) \times \text{height}$$

Name

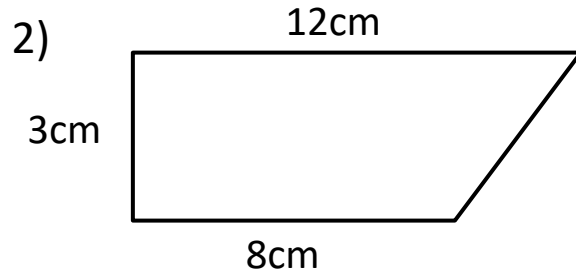
Date



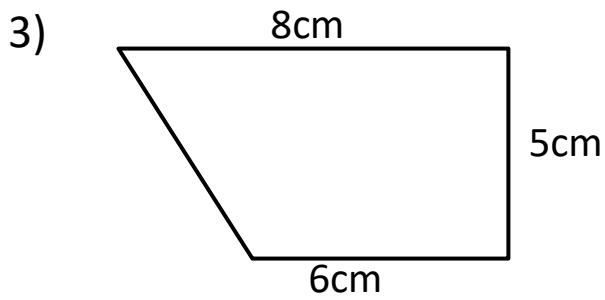
TRAPEZOID AREA SHEET 1 ANSWERS



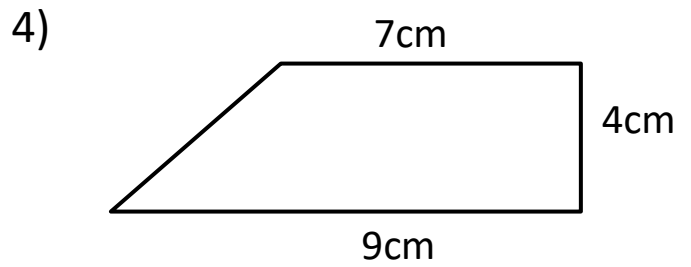
Area = 35cm^2



Area = 30cm^2



Area = 35cm^2



Area = 32cm^2