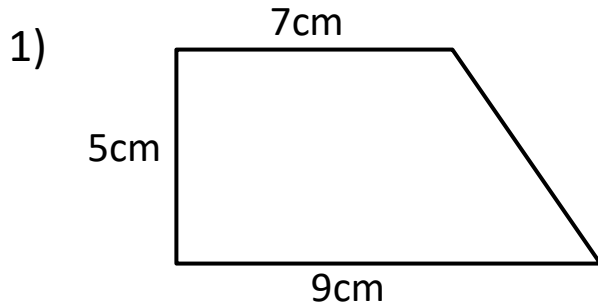


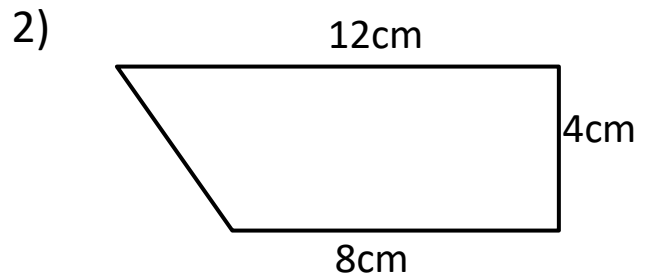


## TRAPEZOID AREA SHEET 2

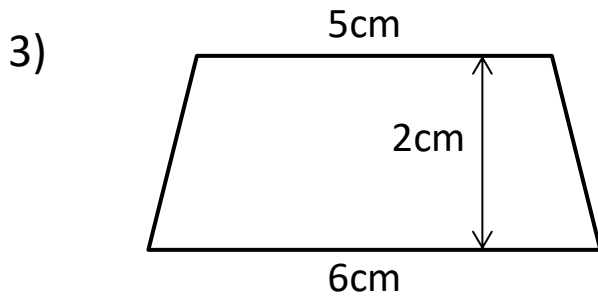
Find the area of these trapezoids. They are not drawn to scale.



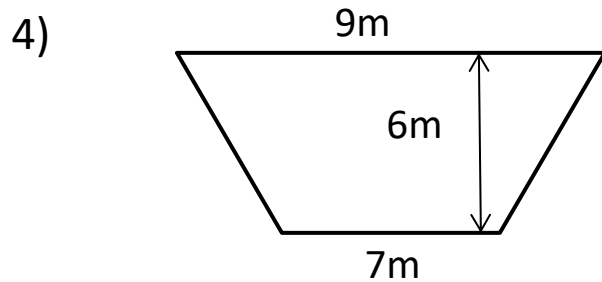
Area = \_\_\_\_\_  $\text{cm}^2$



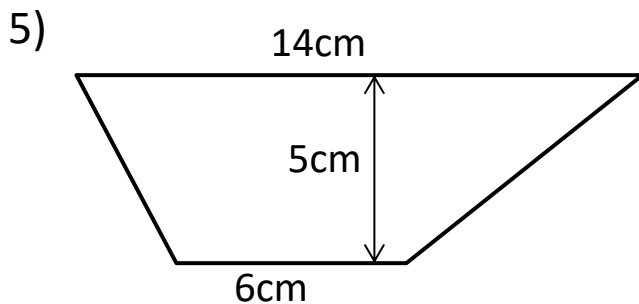
Area = \_\_\_\_\_  $\text{cm}^2$



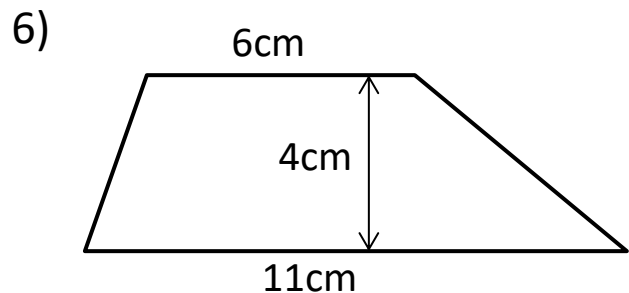
Area = \_\_\_\_\_  $\text{cm}^2$



Area = \_\_\_\_\_  $\text{m}^2$



Area = \_\_\_\_\_  $\text{cm}^2$



Area = \_\_\_\_\_  $\text{cm}^2$

Handy hint:

The formula for the area of a trapezoid is

$$\frac{1}{2} \times (\text{length1} + \text{length2}) \times \text{height}$$

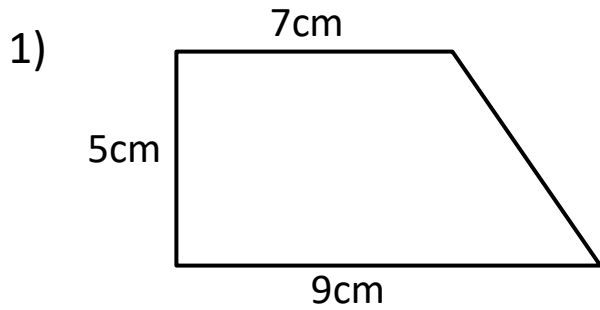


Name

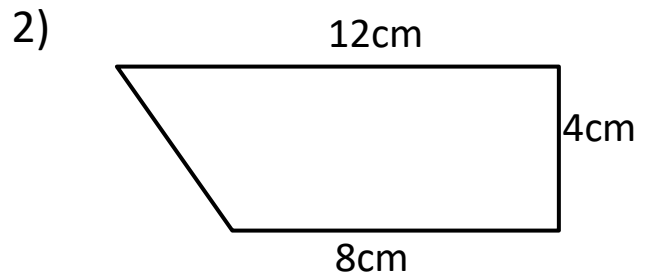
Date



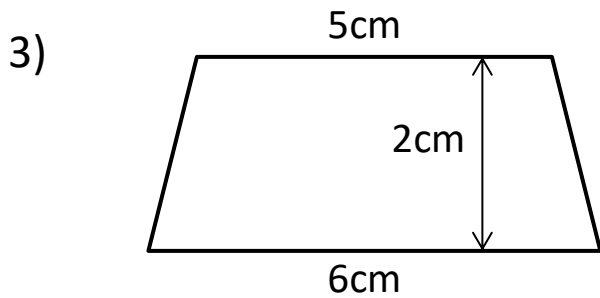
# TRAPEZOID AREA SHEET 2 ANSWERS



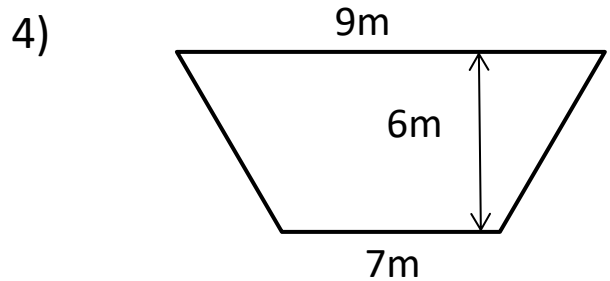
Area =  $40 \text{ cm}^2$



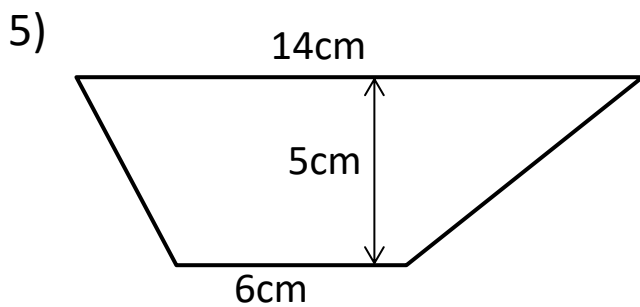
Area =  $40 \text{ cm}^2$



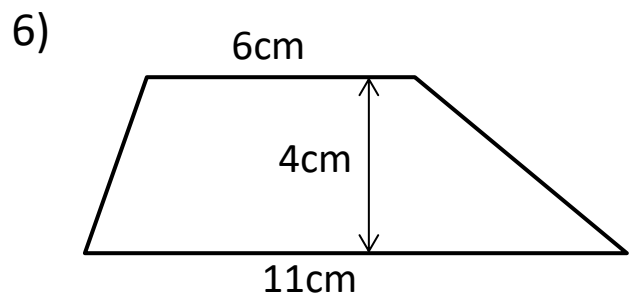
Area =  $11 \text{ cm}^2$



Area =  $48 \text{ m}^2$



Area =  $50 \text{ cm}^2$



Area =  $34 \text{ cm}^2$