

Name _____

Date _____



AREA OF RECTANGLES SHEET 5

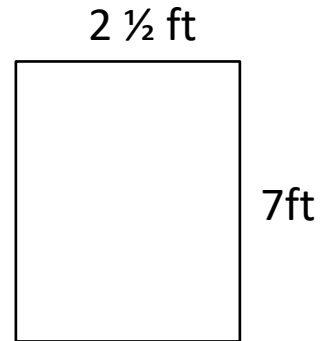
Work out the area of the following rectangles. They are not to scale.

1)



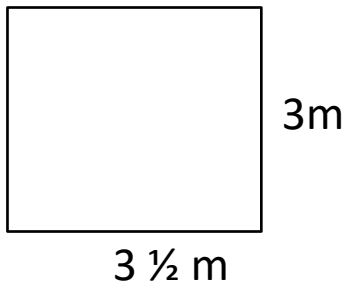
Area = _____ square cm

2)



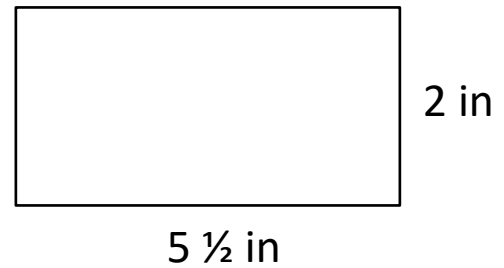
Area = _____ square ft

3)



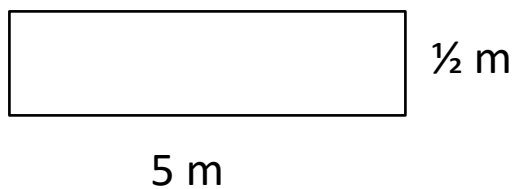
Area = _____ square m

4)



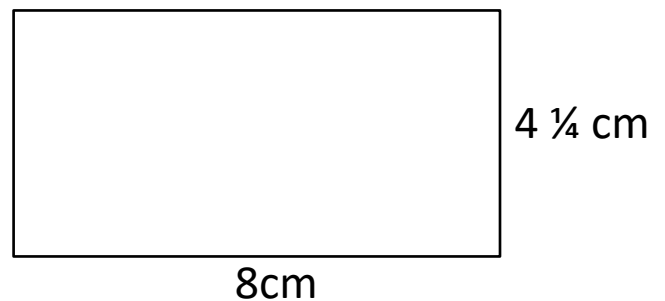
Area = _____ square in

5)



Area = _____ square m

6)



Area = _____ square cm

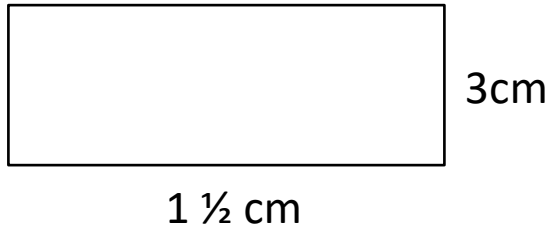




AREA OF RECTANGLES SHEET 5 ANSWERS

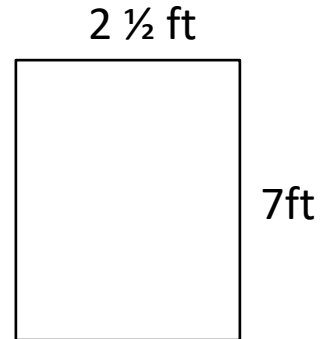
Work out the area of the following rectangles. They are not to scale.

1)



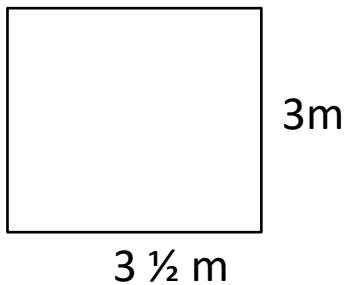
Area = $4 \frac{1}{2}$ square cm

2)



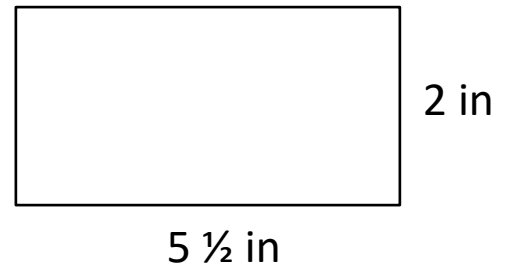
Area = $17 \frac{1}{2}$ square ft

3)



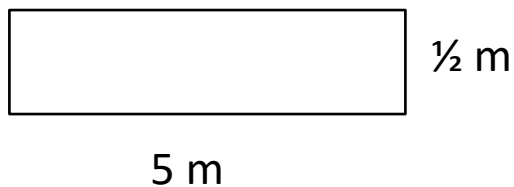
Area = $10 \frac{1}{2}$ square m

4)



Area = 11 square in

5)



Area = $2 \frac{1}{2}$ square m

6)



Area = 34 square cm