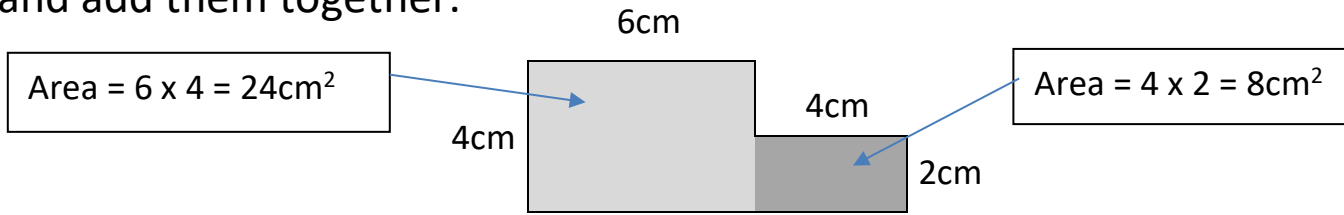




AREA OF RECTILINEAR SHAPES SHEET 2

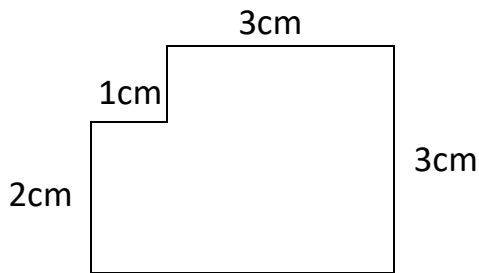
To find the area of these shapes, work out the area of the two rectangles and add them together.



The total area of this shape is $24\text{cm}^2 + 8\text{cm}^2 = 32\text{cm}^2$.

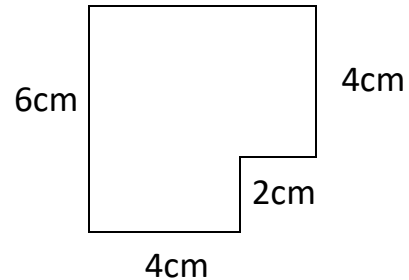
Work out the area of the following shapes (not to scale):

1)



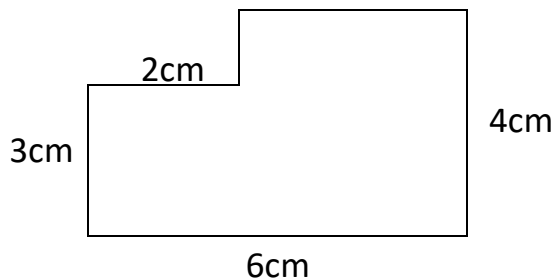
Area = _____ cm^2

2)



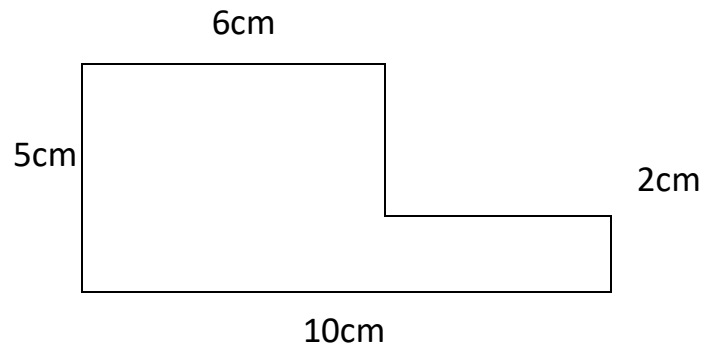
Area = _____ cm^2

3)



Area = _____

4)



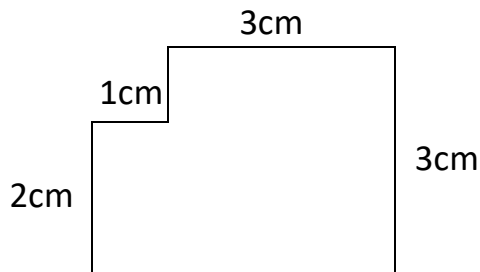
Area = _____



AREA OF RECTILINEAR SHAPES SHEET 2 ANSWERS

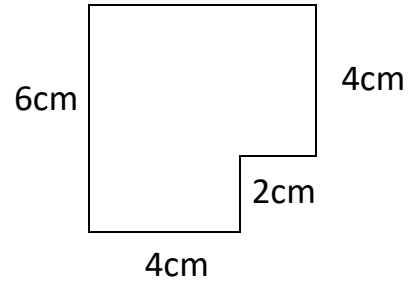
Work out the area of the following shapes (not to scale):

1)



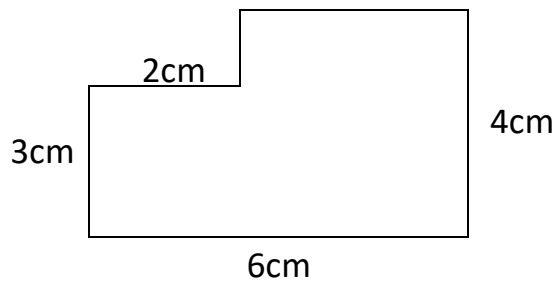
$$\text{Area} = \underline{11} \text{ cm}^2$$

2)



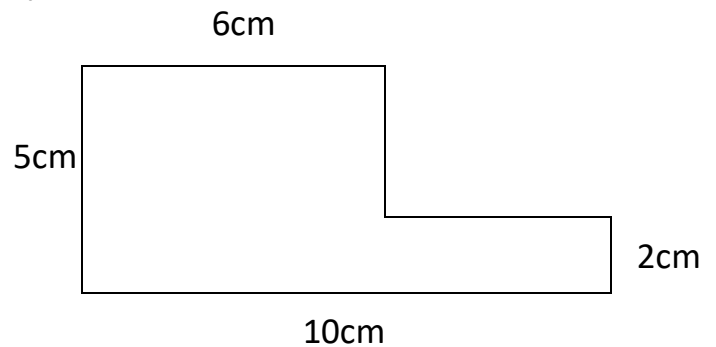
$$\text{Area} = \underline{32} \text{ cm}^2$$

3)



$$\text{Area} = \underline{22} \text{ cm}^2$$

4)



$$\text{Area} = \underline{38} \text{ cm}^2$$