

Name _____

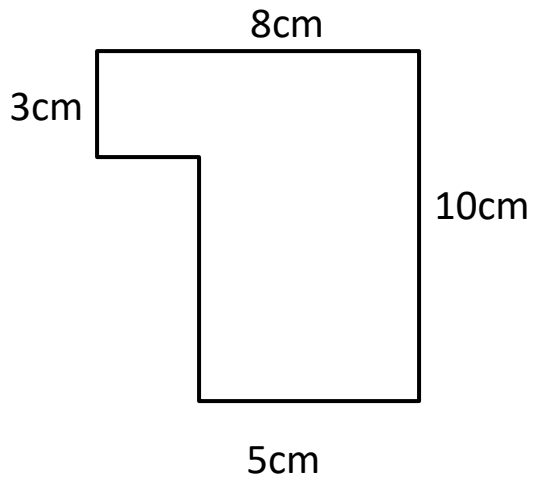
Date _____



AREA RECTILINEAR SHAPES 4

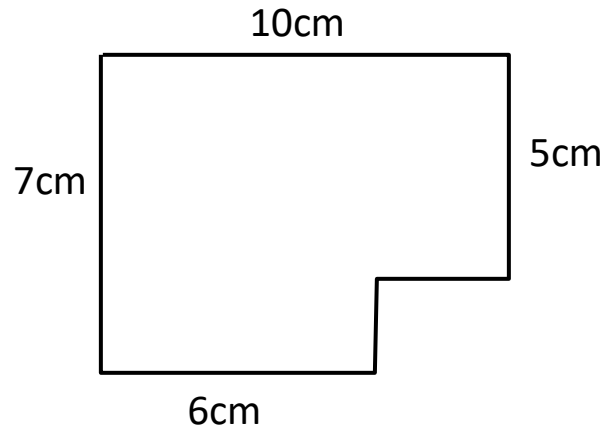
Work out the area of the following shapes by dividing them into rectangles. They are not to scale.

1)



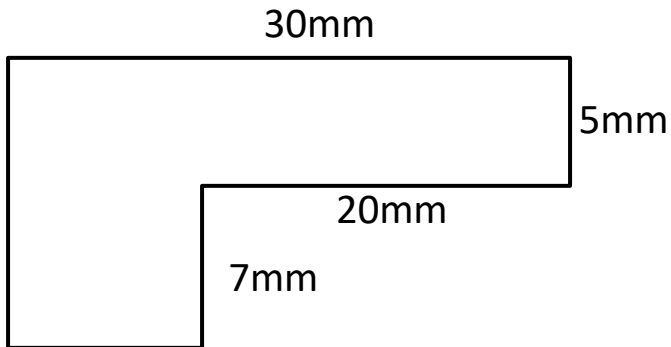
Area = _____

2)



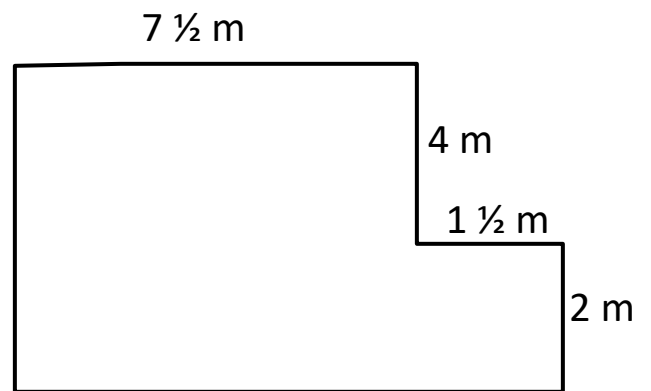
Area = _____

3)



Area = _____

4)



Area = _____



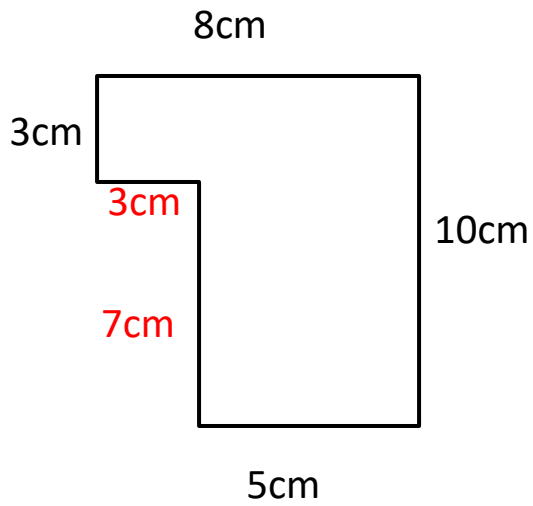
Name

Date



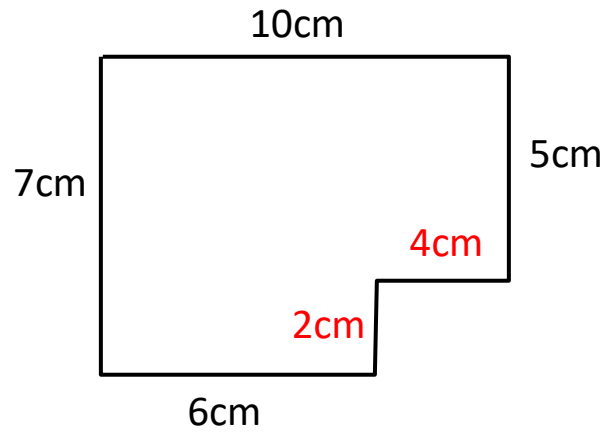
AREA RECTILINEAR SHAPES 4 ANSWERS

1)



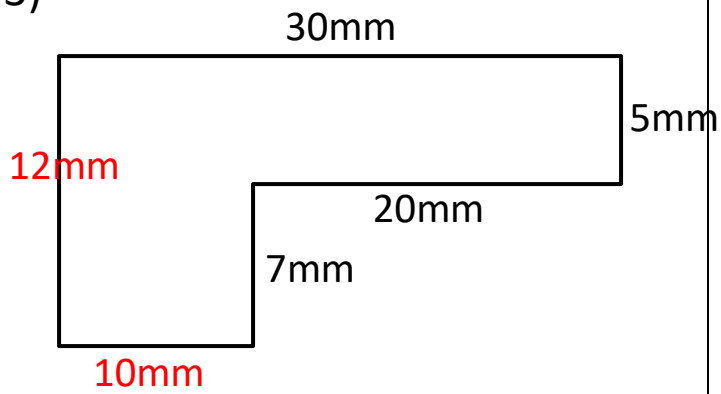
Area = 59 cm²

2)



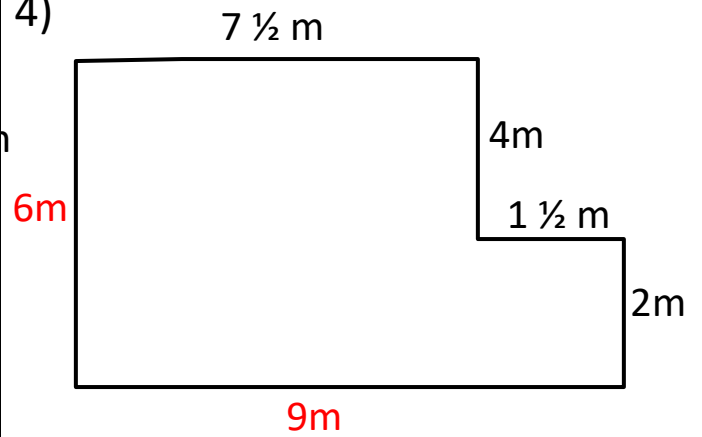
Area = 62 cm²

3)



Area = 220 mm²

4)



Area = 48 m²