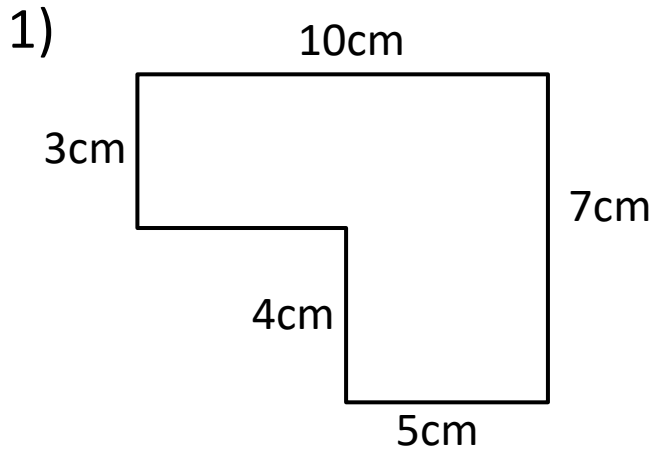




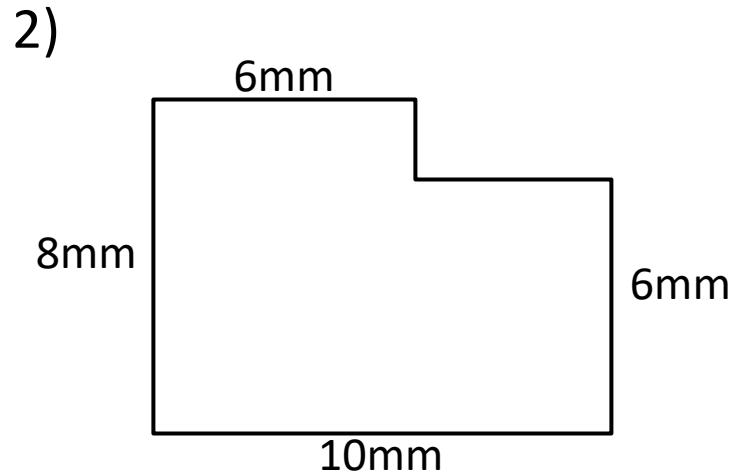
AREA AND PERIMETER OF RECTILINEAR SHAPES 1

Work out the area and perimeter of the following shapes by finding the missing sides. The shapes are not to scale.



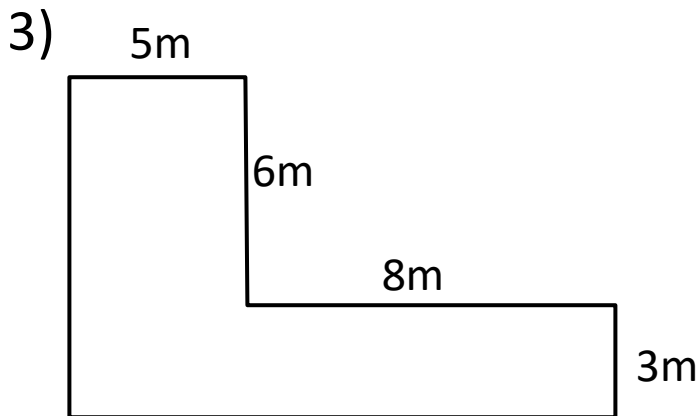
Area = _____ square cm (cm²)

Perimeter = _____ m



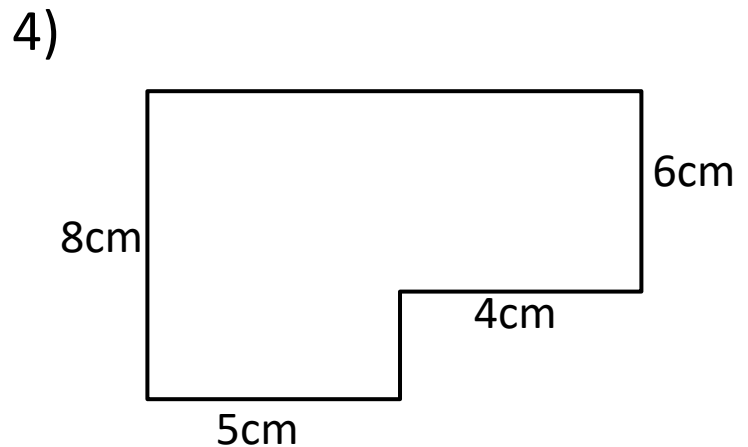
Area = _____ square mm (mm²)

Perimeter = _____ mm



Area = _____ square m (m²)

Perimeter = _____ m



Area = _____ square cm (cm²)

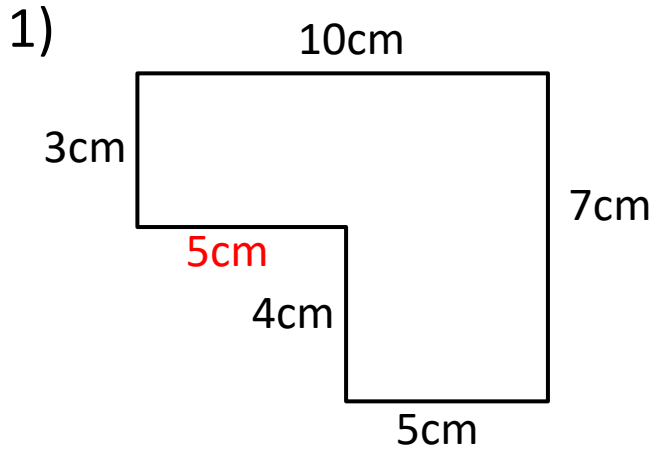
Perimeter = _____ cm

Name

Date

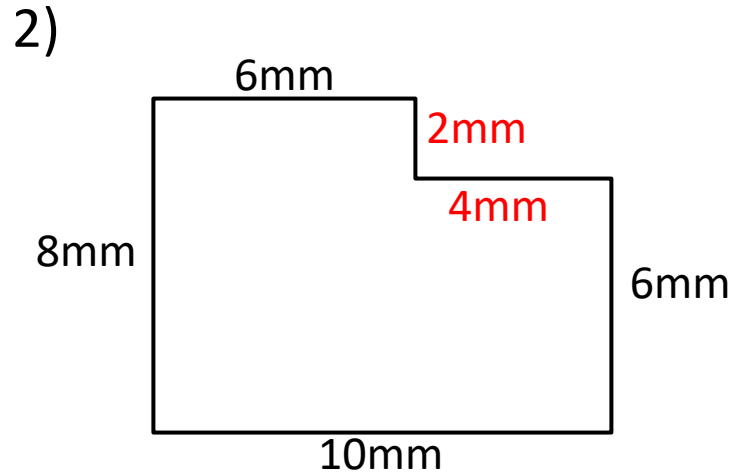


AREA AND PERIMETER OF RECTILINEAR SHAPES 1 ANSWERS



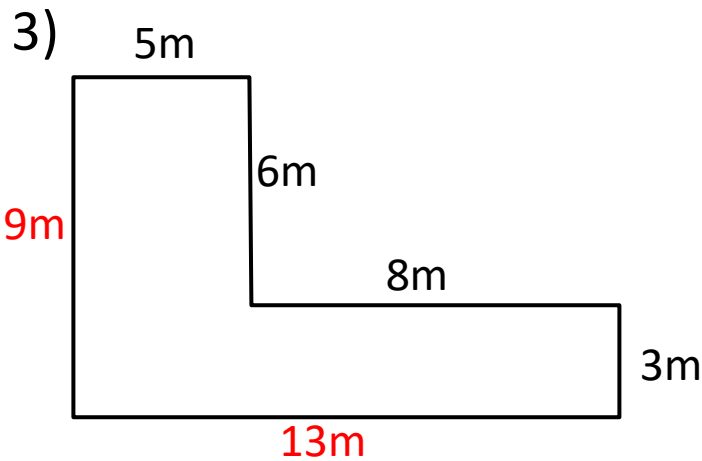
Area = 50 square cm (cm²)

Perimeter = 34 cm



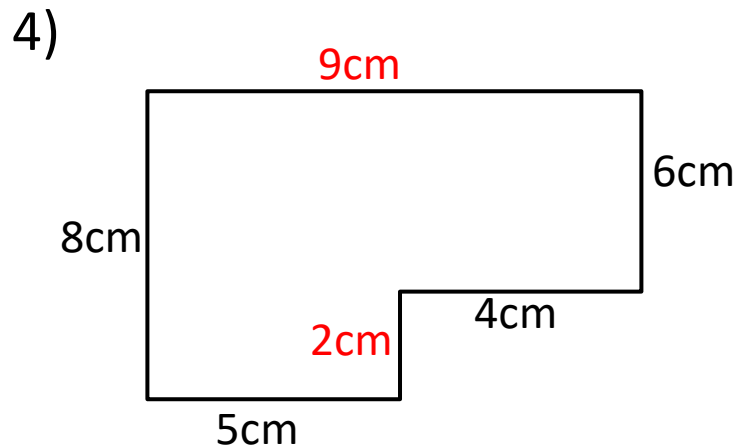
Area = 72 square mm (mm²)

Perimeter = 36 mm



Area = 69 square m (m²)

Perimeter = 44 m



Area = 64 square cm (cm²)

Perimeter = 34 cm