

Name _____

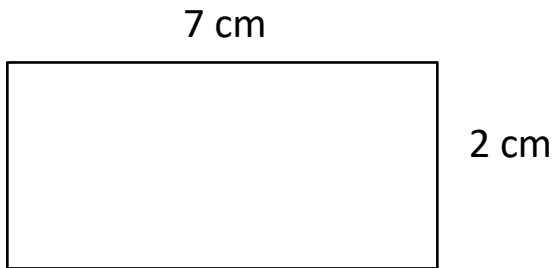
Date _____



PERIMETER OF 2D SHAPES 1A

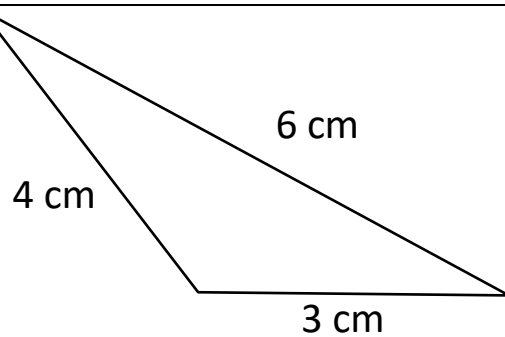
Work out the perimeter of these shapes. They are not to scale.

1)



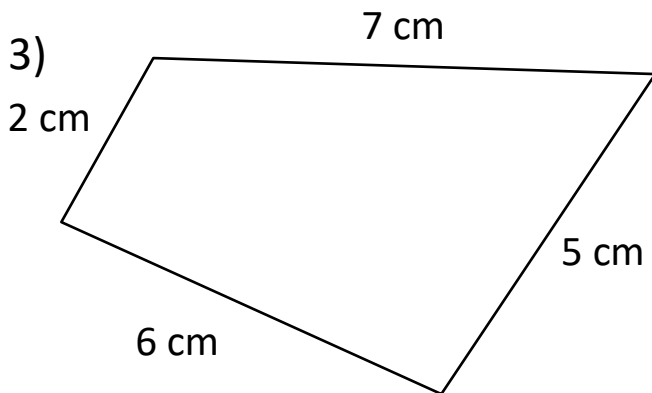
Perimeter = _____ cm

2)



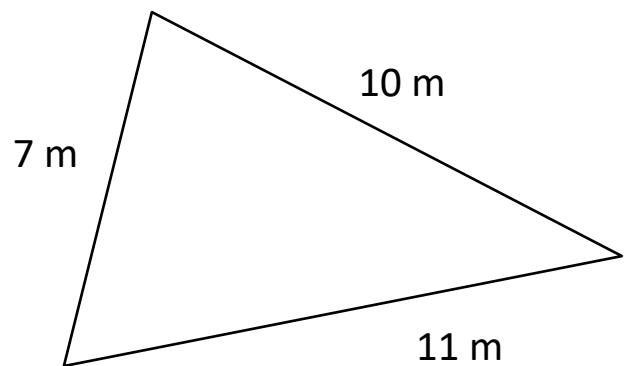
Perimeter = _____ cm

3)



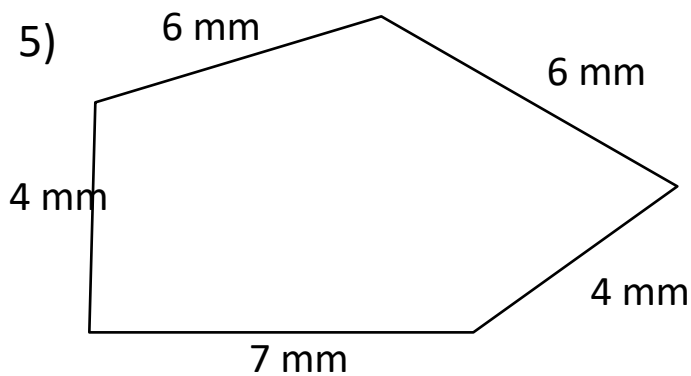
Perimeter = _____ cm

4)



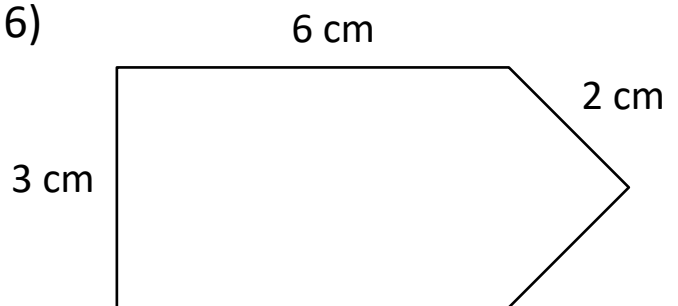
Perimeter = _____ m

5)



Perimeter = _____ mm

6)



Perimeter = _____ cm



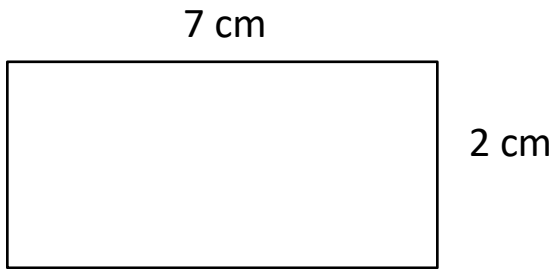
Name

Date



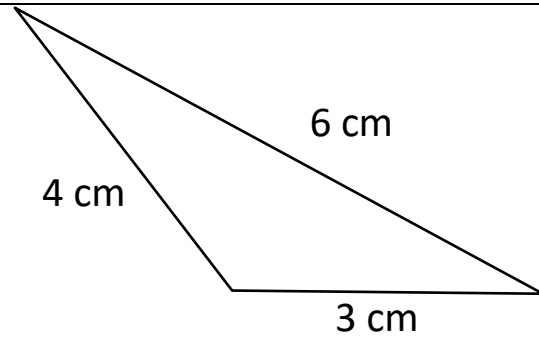
PERIMETER OF 2D SHAPES 1A ANSWERS

1)



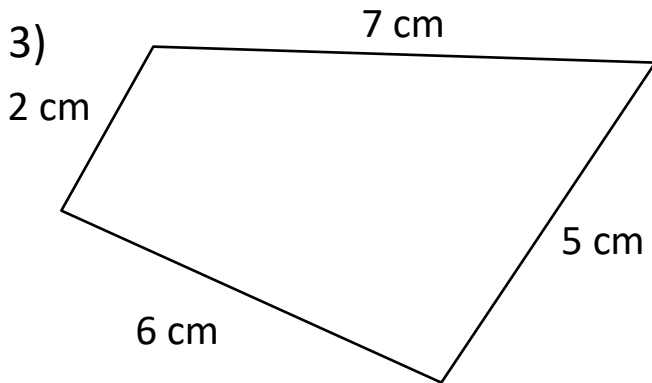
Perimeter = 18 cm

2)



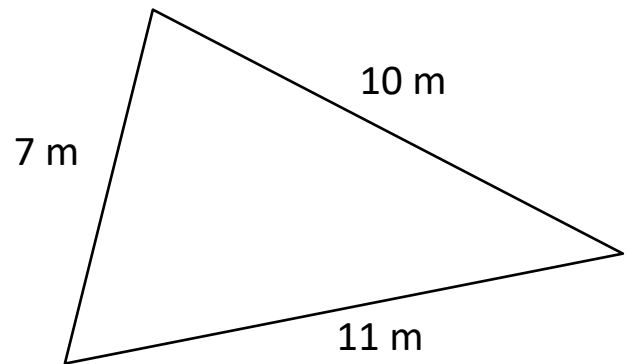
Perimeter = 13 cm

3)



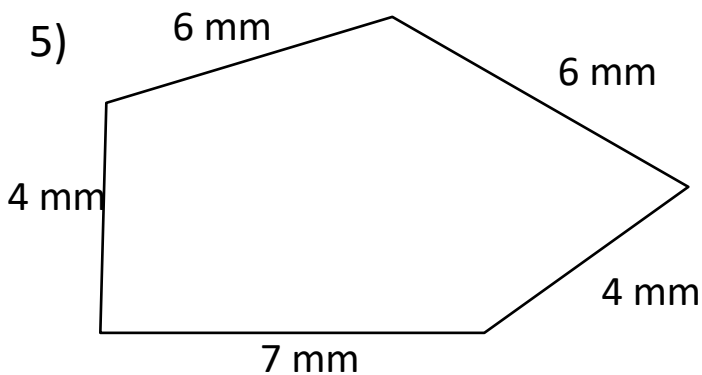
Perimeter = 20 cm

4)



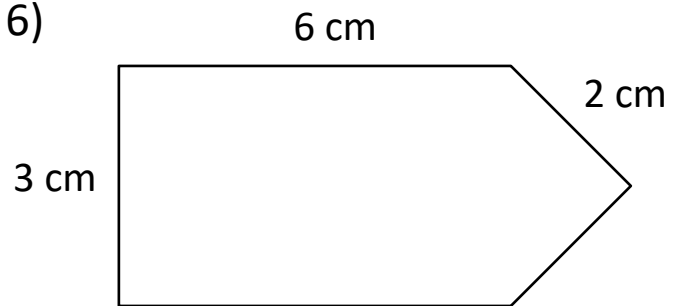
Perimeter = 28 m

5)



Perimeter = 27 mm

6)



Perimeter = 19 cm