

Name _____

Date _____

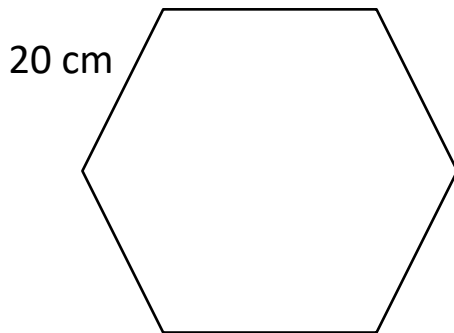


PERIMETER OF 2D SHAPES 3



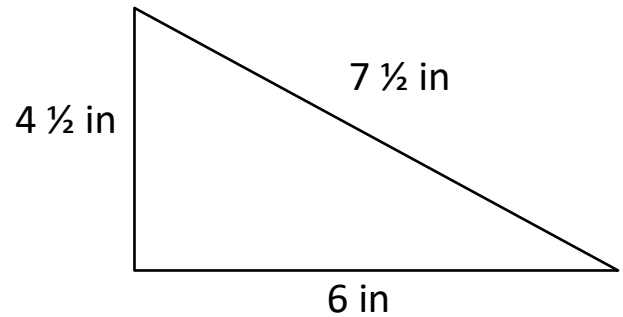
Work out the perimeter of these shapes. They are not to scale.

1)



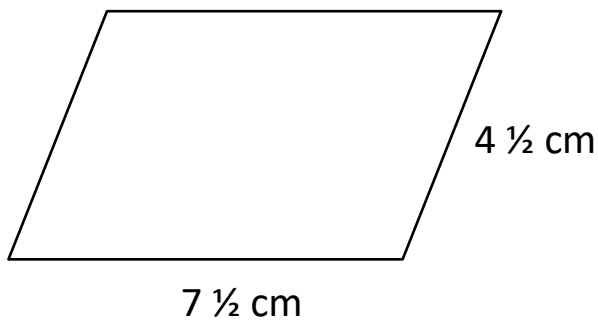
Perimeter = _____ cm

2)



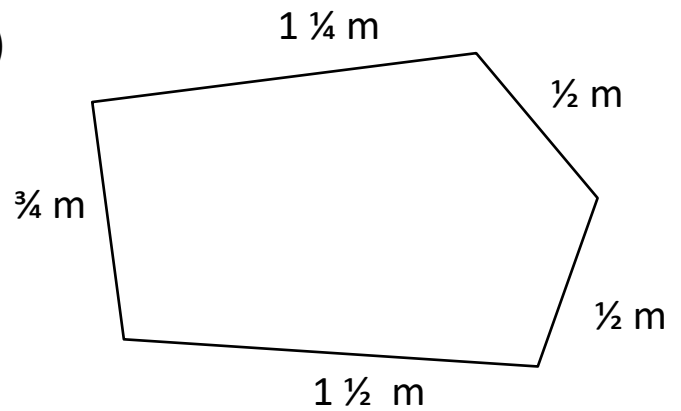
Perimeter = _____ in

3)



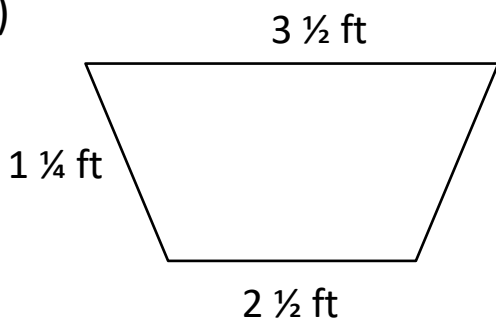
Perimeter = _____ cm

4)



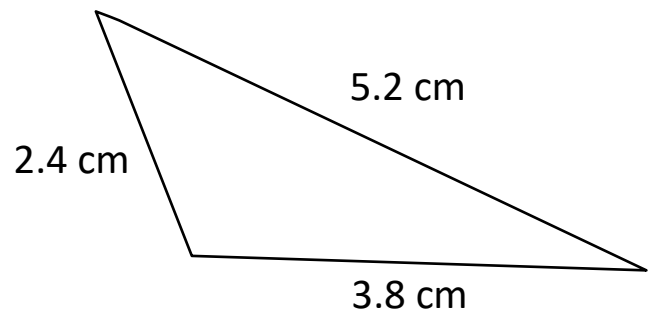
Perimeter = _____ in

5)



Perimeter = _____ ft

6)



Perimeter = _____ cm

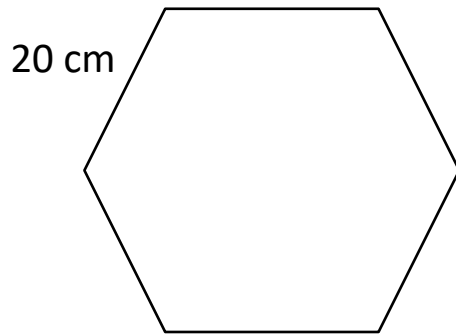
Name

Date



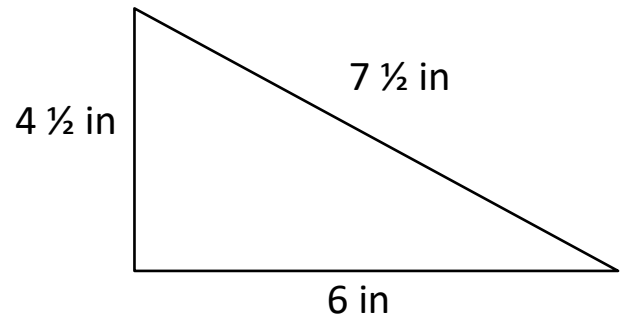
PERIMETER OF 2D SHAPES 3 ANSWERS

1)



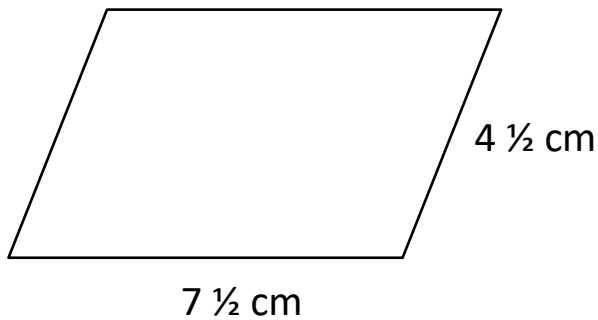
Perimeter = 120 cm

2)



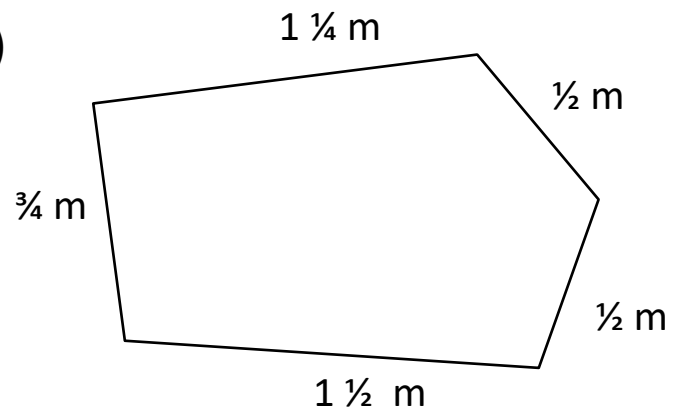
Perimeter = 18 in

3)



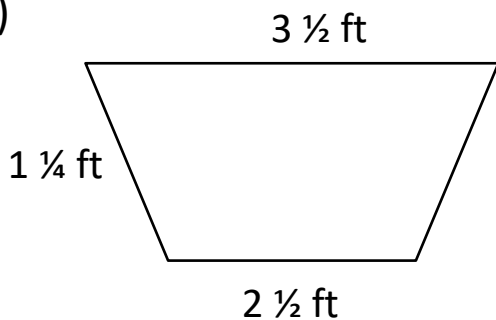
Perimeter = 24 cm

4)



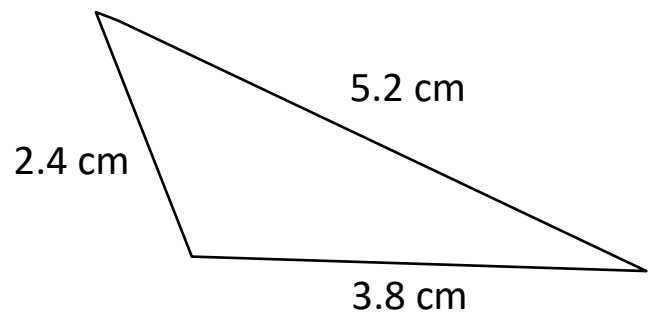
Perimeter = $4\frac{1}{2}$ m

5)



Perimeter = $8\frac{1}{2}$ ft

6)



Perimeter = 11.4 cm