

Name _____

Date _____

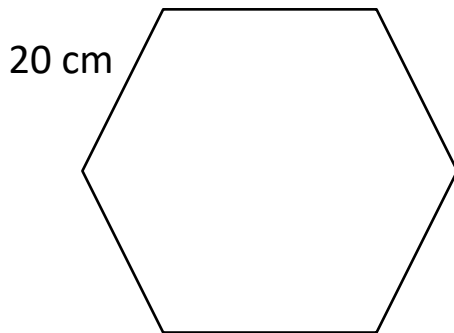


PERIMETER OF 2D SHAPES 3A



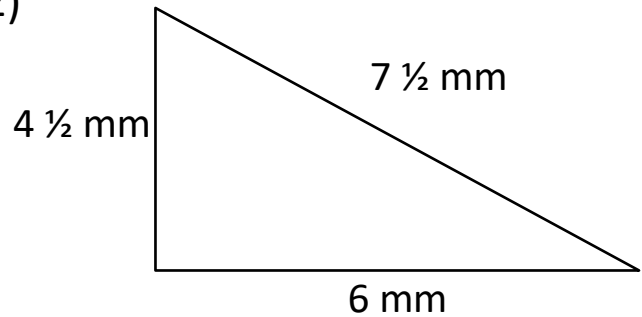
Work out the perimeter of these shapes. They are not to scale.

1)



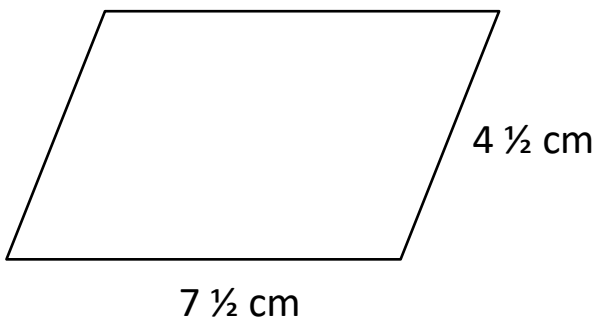
Perimeter = _____ cm

2)



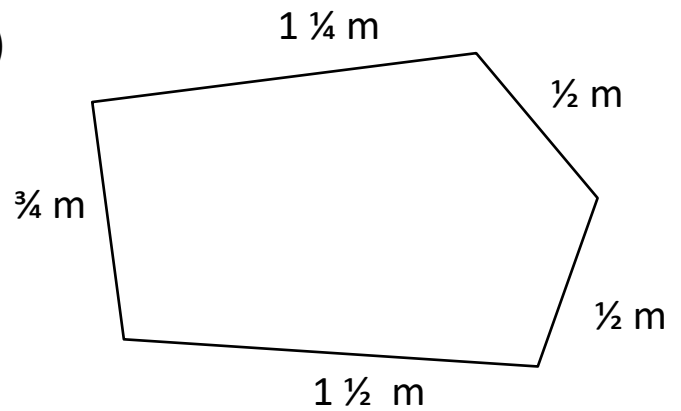
Perimeter = _____ mm

3)



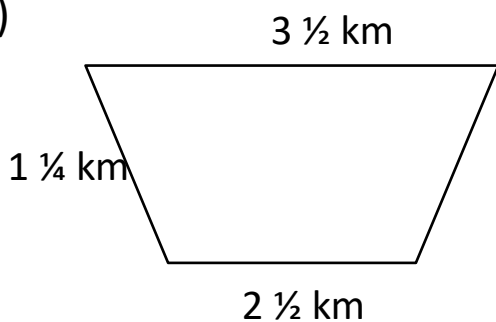
Perimeter = _____ cm

4)



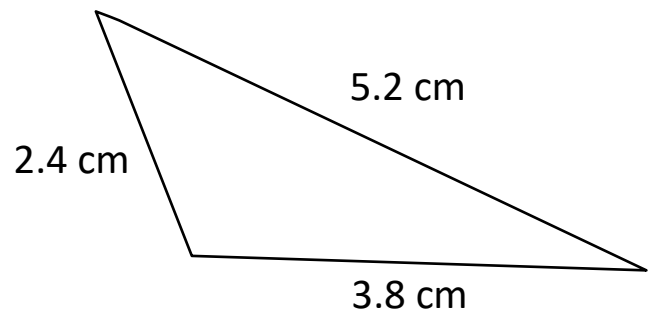
Perimeter = _____ m

5)



Perimeter = _____ km

6)

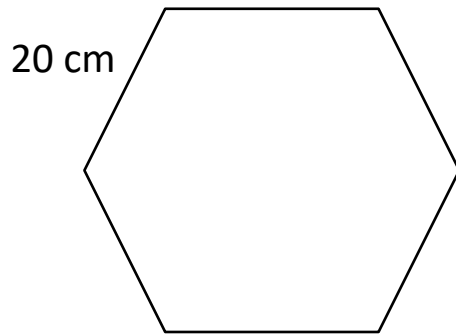


Perimeter = _____ cm



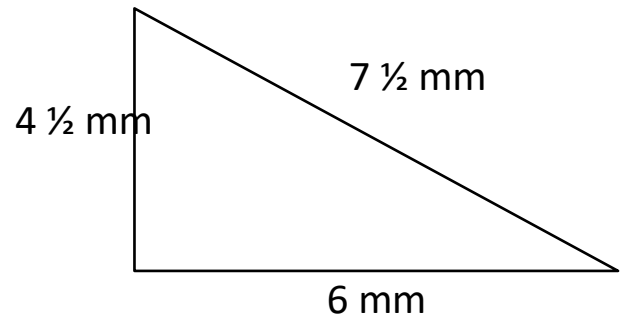
PERIMETER OF 2D SHAPES 3A ANSWERS

1)



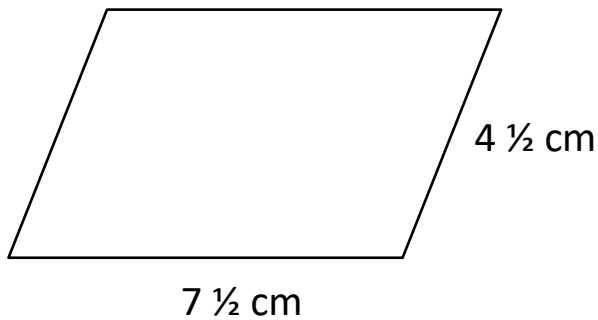
Perimeter = 120 cm

2)



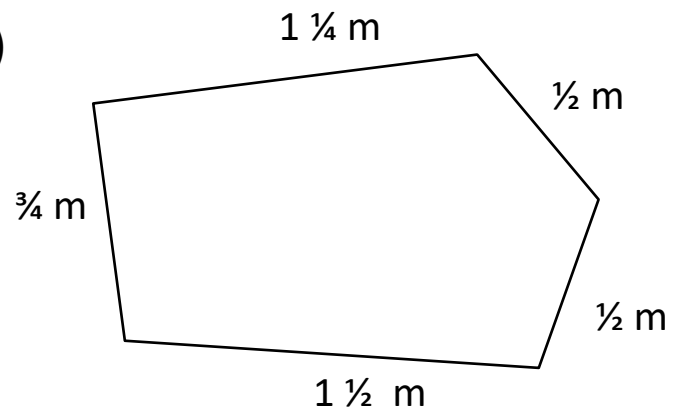
Perimeter = 18 mm

3)



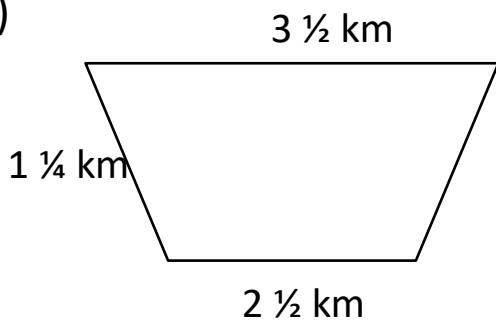
Perimeter = 24 cm

4)



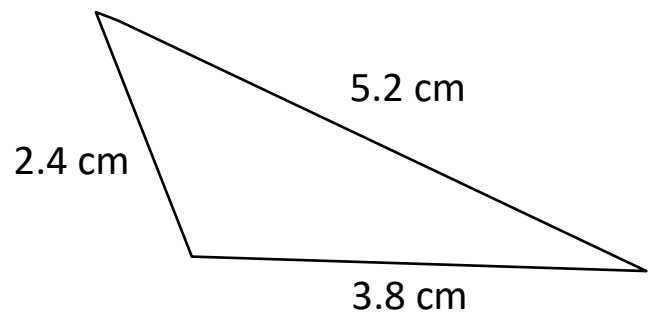
Perimeter = 4 1/2 m

5)



Perimeter = 8 1/2 km

6)



Perimeter = 11.4 cm