

Name _____

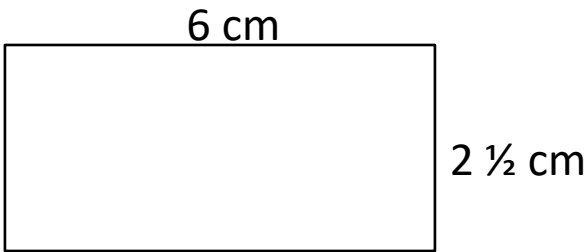
Date _____



PERIMETER OF A RECTANGLE SHEET 4A

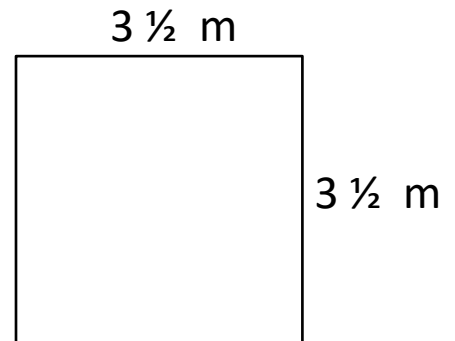
Find the perimeters of these rectangles. They are not to scale.

1)



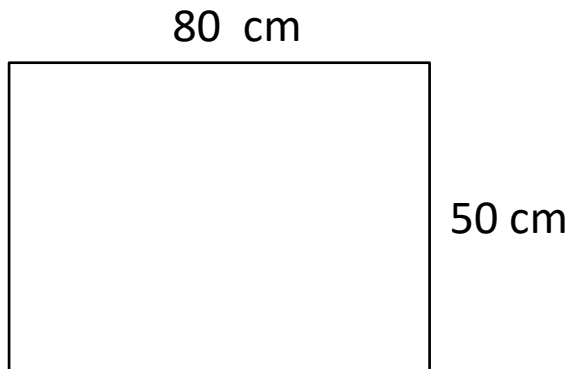
Perimeter = _____

2)



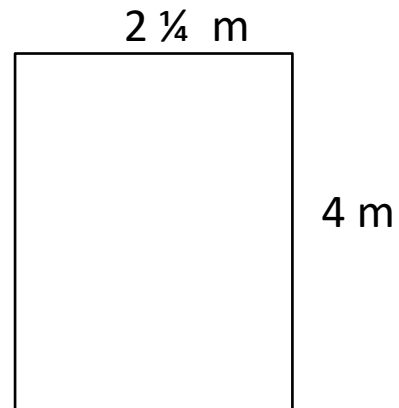
Perimeter = _____

3)



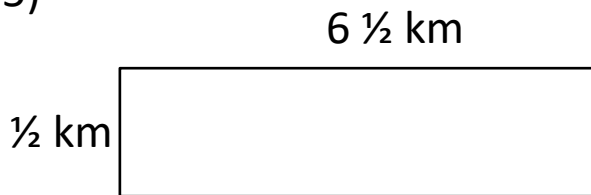
Perimeter = _____

4)



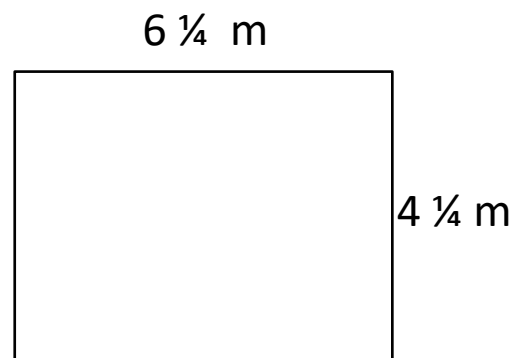
Perimeter = _____

5)



Perimeter = _____

6)



Perimeter = _____



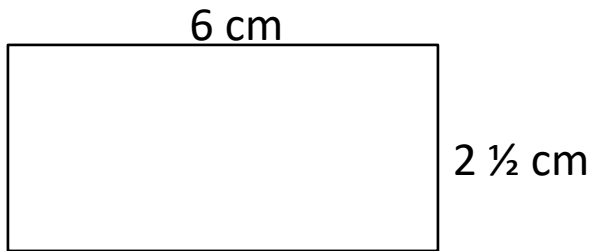
Name

Date



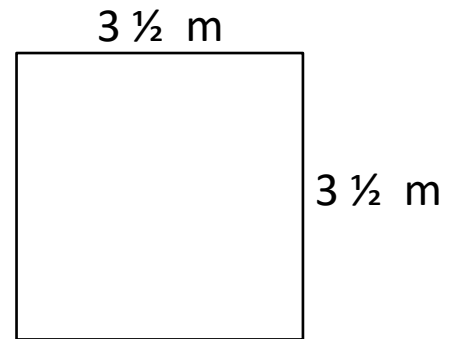
PERIMETER OF A RECTANGLE SHEET 4A ANSWERS

1)



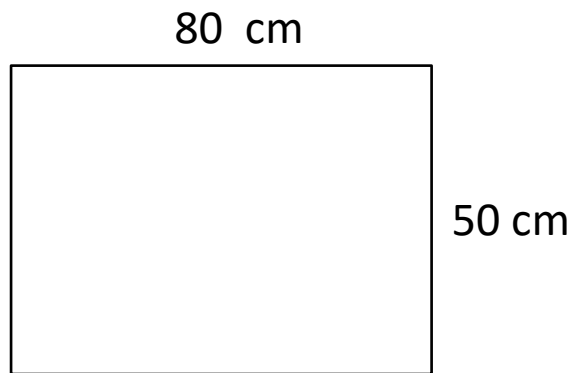
Perimeter = 17 cm

2)



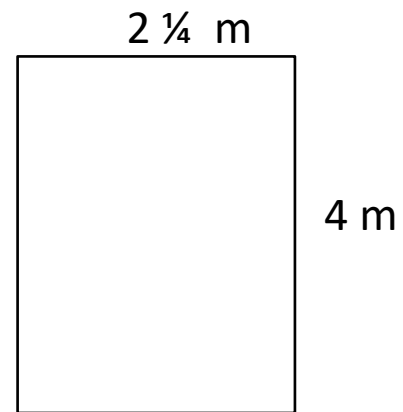
Perimeter = 14 m

3)



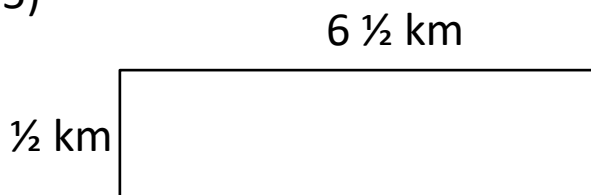
Perimeter = 260 cm

4)



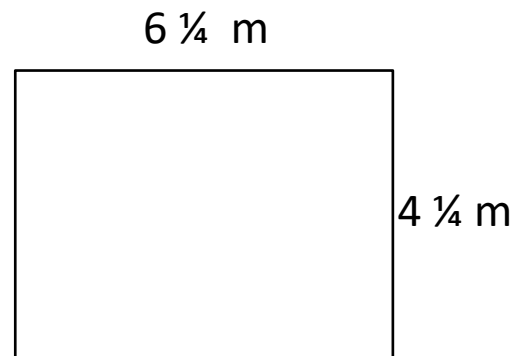
Perimeter = 12 $\frac{1}{2}$ m

5)



Perimeter = 14 km

6)



Perimeter = 21 m