

Name _____

Date _____

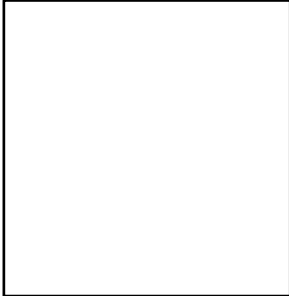


PERIMETER OF A RECTANGLE SHEET 5

Find the perimeters of these rectangles. They are not to scale.

1)

3.2 cm

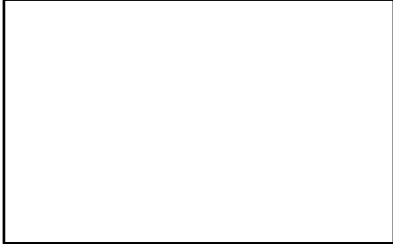


2.8 cm

Perimeter = _____

2)

$1\frac{1}{4}$ in




$\frac{3}{4}$ in

Perimeter = _____

3)

5.3 cm

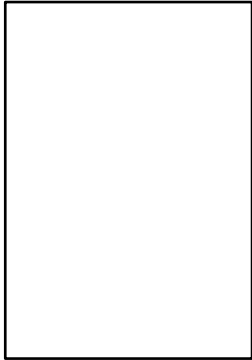


2.5 cm

Perimeter = _____

4)

$1\frac{1}{4}$ m




$2\frac{1}{2}$ m

Perimeter = _____

5)

$4\frac{1}{4}$ ft

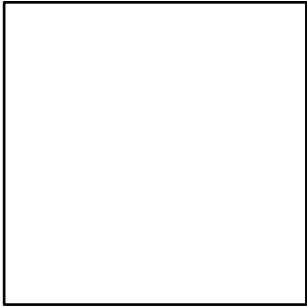


$1\frac{1}{2}$ ft

Perimeter = _____

6)

6.7 m



3.5 m

Perimeter = _____



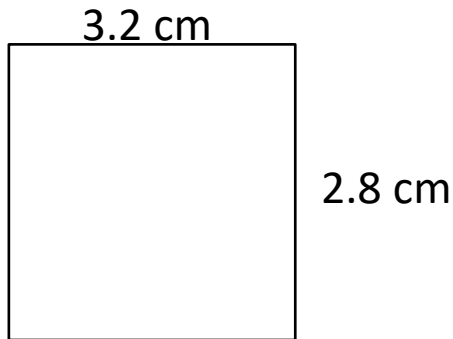
Name

Date



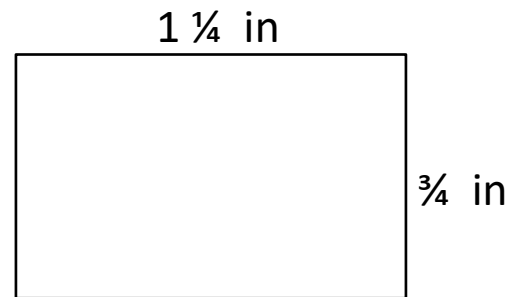
PERIMETER OF A RECTANGLE SHEET 5 ANSWERS

1)



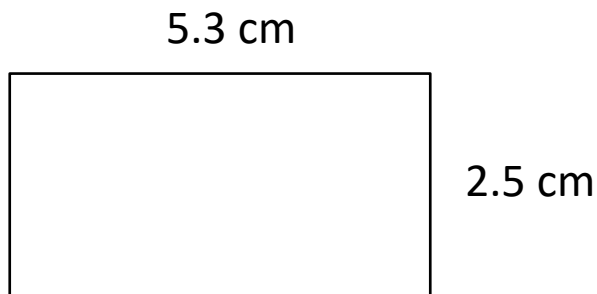
Perimeter = 12 cm

2)



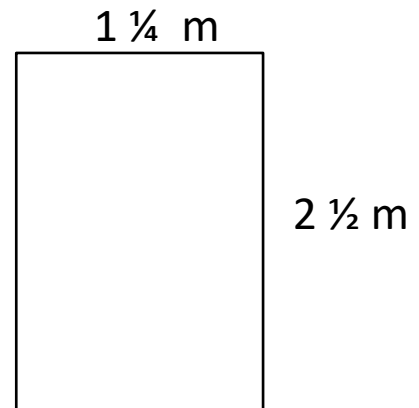
Perimeter = 4 in

3)



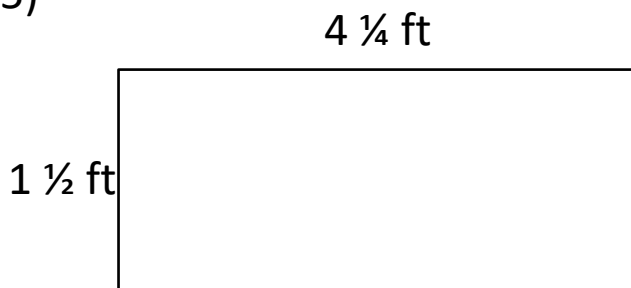
Perimeter = 15.6 cm

4)



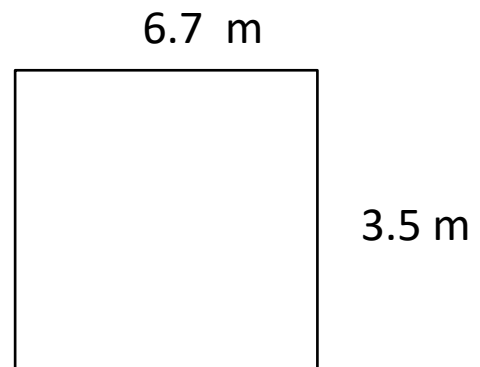
Perimeter = $7 \frac{1}{2}$ m

5)



Perimeter = $11 \frac{1}{2}$ ft

6)



Perimeter = 20.4 m