

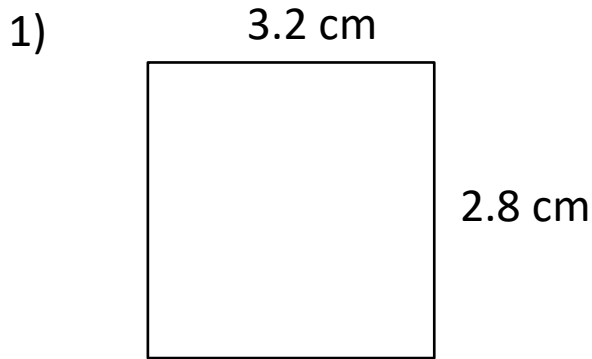
Name _____

Date _____

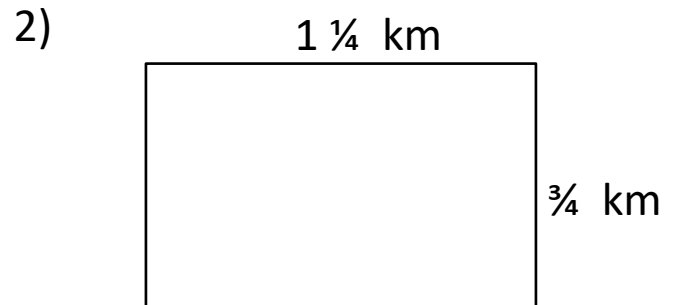


PERIMETER OF A RECTANGLE SHEET 5A

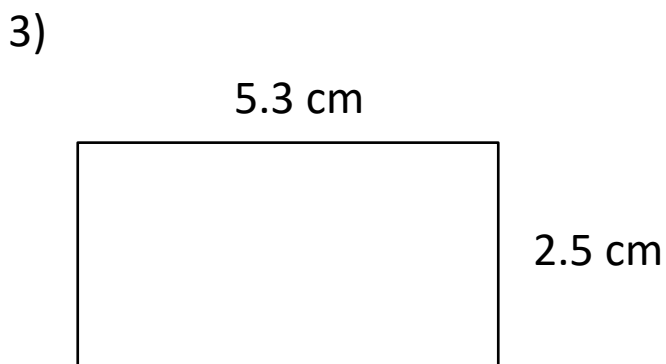
Find the perimeters of these rectangles. They are not to scale.



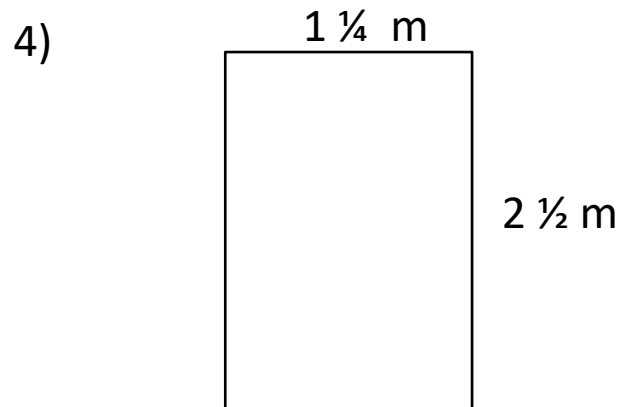
Perimeter = _____



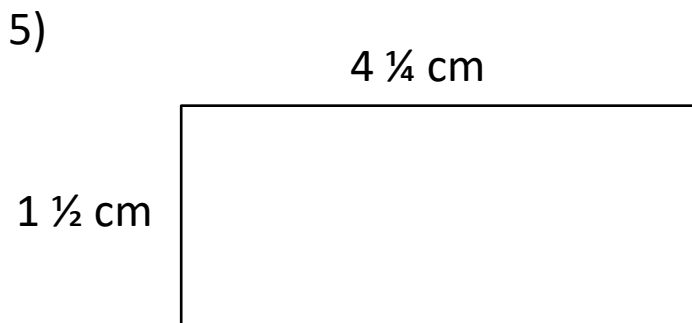
Perimeter = _____



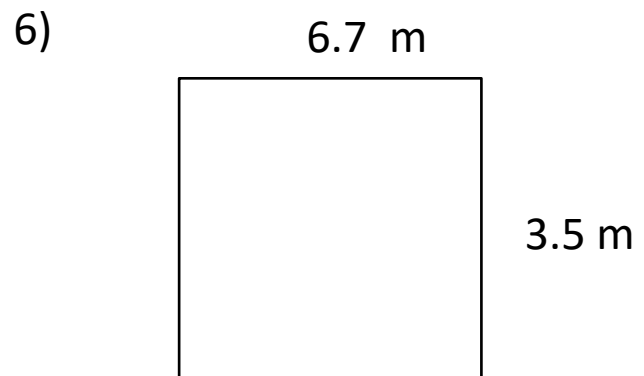
Perimeter = _____



Perimeter = _____



Perimeter = _____



Perimeter = _____



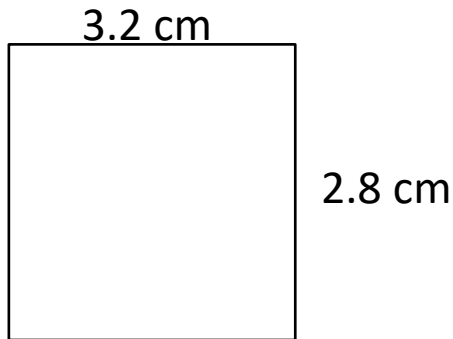
Name

Date



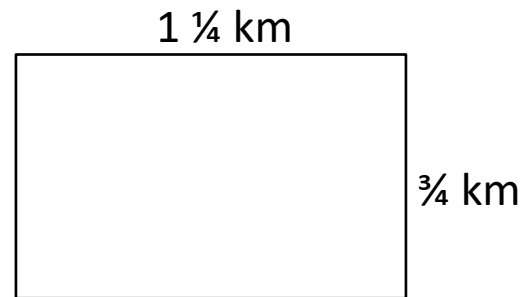
PERIMETER OF A RECTANGLE SHEET 5A ANSWERS

1)



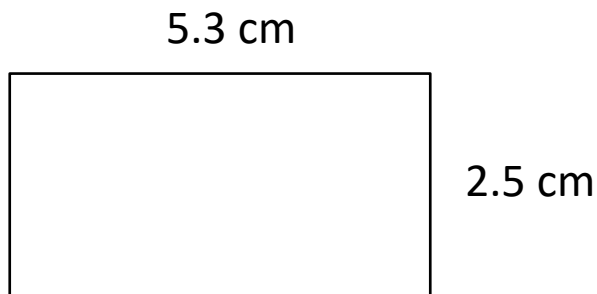
Perimeter = 12 cm

2)



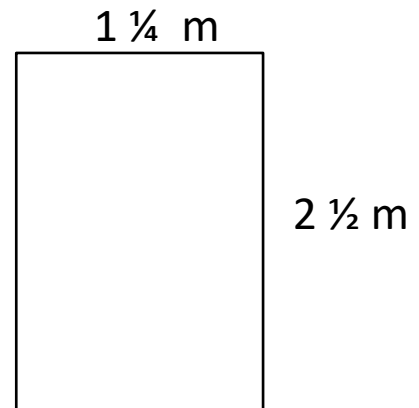
Perimeter = 4 km

3)



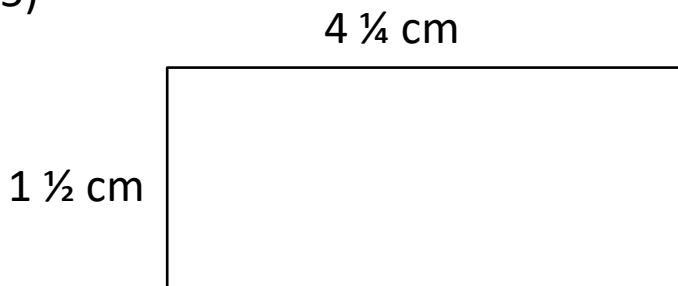
Perimeter = 15.6 cm

4)



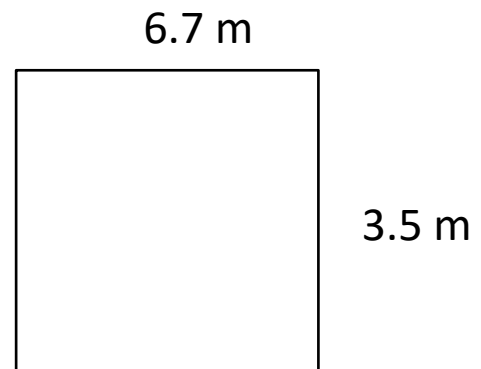
Perimeter = $7 \frac{1}{2}$ m

5)



Perimeter = $11 \frac{1}{2}$ cm

6)



Perimeter = 20.4 m