

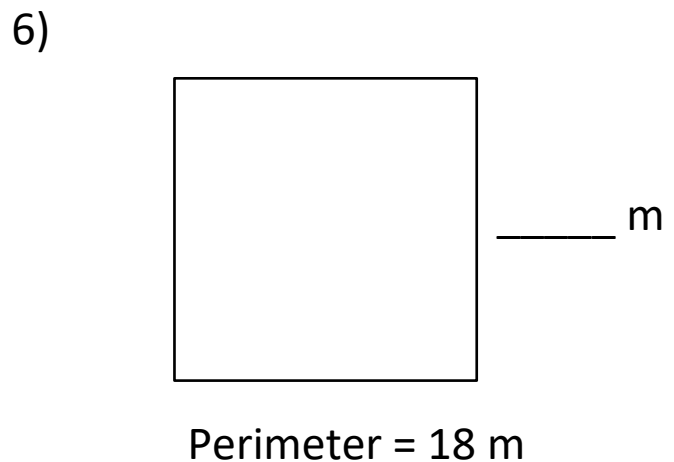
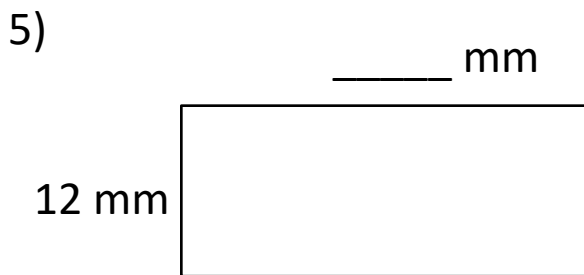
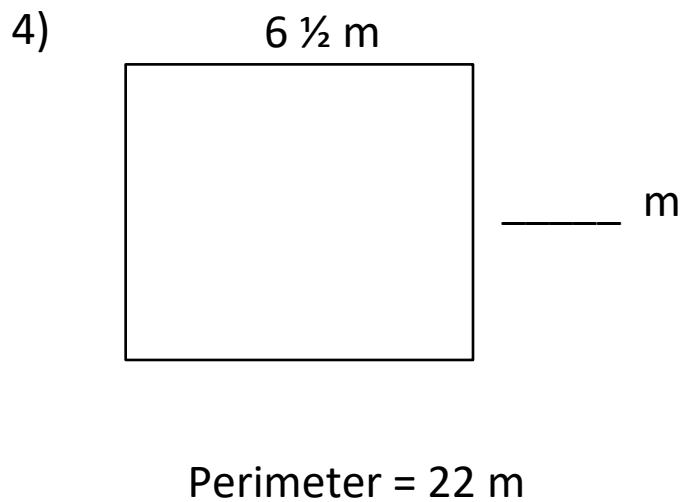
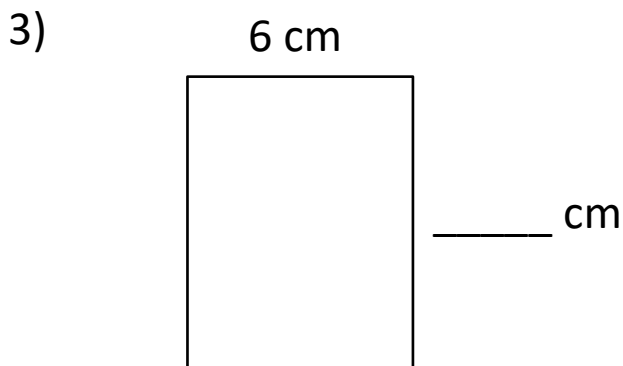
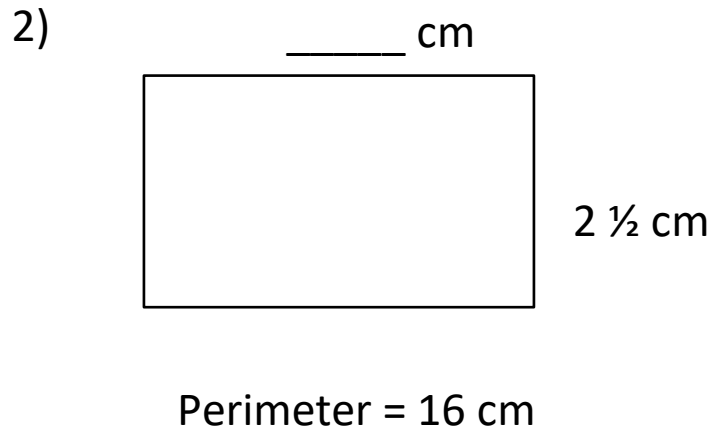
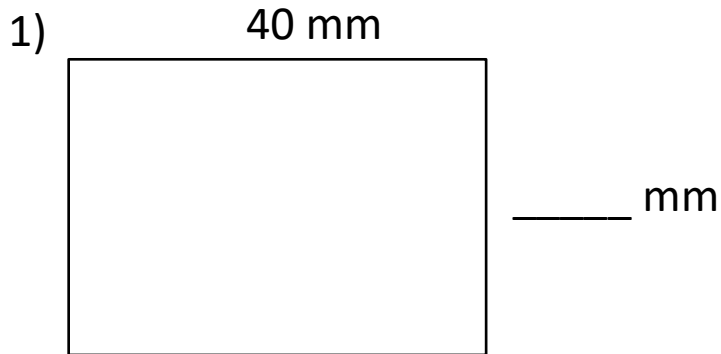
Name

Date



## PERIMETER OF A RECTANGLE MISSING SIDES 2

Find the missing side of each rectangle using the information given. They are not to scale.





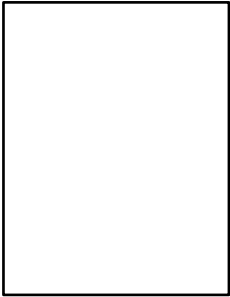

Name


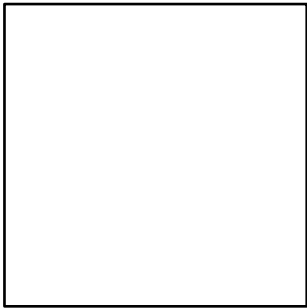
Date



## PERIMETER OF A RECTANGLE MISSING SIDES 2 ANSWERS

- 1)   $40 \text{ mm}$   
 $25 \text{ mm}$   
Perimeter =  $130 \text{ mm}$
- 2)   $5 \frac{1}{2} \text{ cm}$   
 $2 \frac{1}{2} \text{ cm}$   
Perimeter =  $16 \text{ cm}$
- 

- 3)   $6 \text{ cm}$   
 $13 \text{ cm}$   
Perimeter =  $38 \text{ cm}$
- 4)   $6 \frac{1}{2} \text{ m}$   
 $4 \frac{1}{2} \text{ m}$   
Perimeter =  $22 \text{ m}$
- 

- 5)   $30 \text{ mm}$   
 $12 \text{ mm}$   
Perimeter =  $84 \text{ mm}$
- 6)   $4 \frac{1}{2} \text{ m}$   
Perimeter =  $18 \text{ m}$
-