

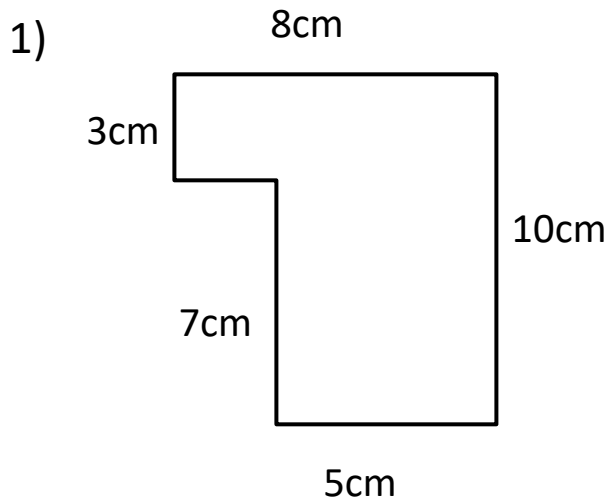
Name

Date

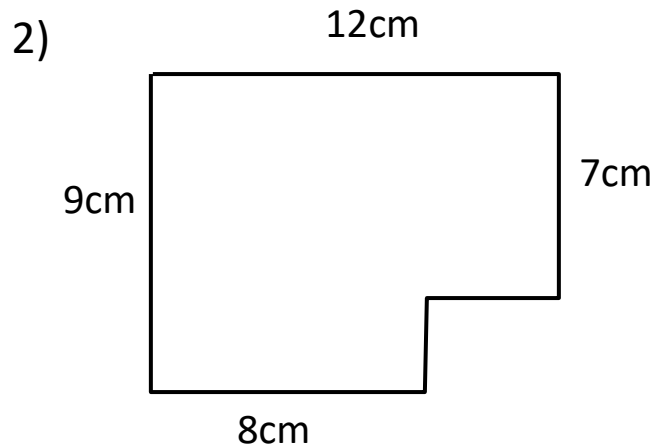


PERIMETER OF RECTILINEAR SHAPES SHEET 1

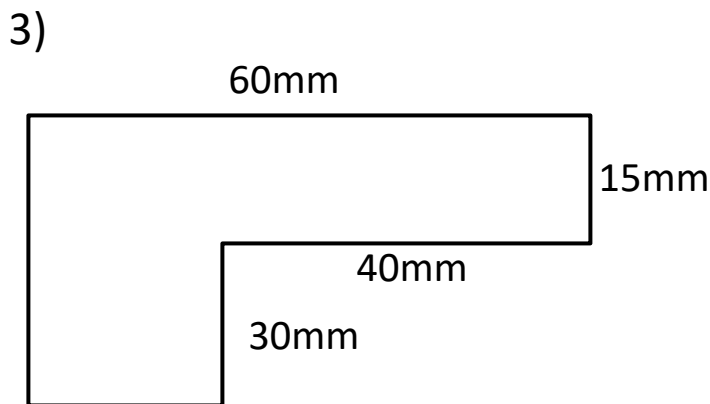
Find the length of the missing sides and then work out the perimeter of each shape.
The shapes are not drawn to scale.



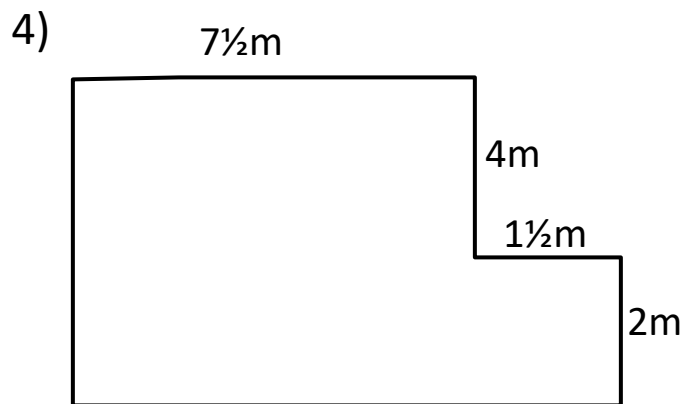
Perimeter = _____ cm



Perimeter = _____ cm



Perimeter = _____ mm



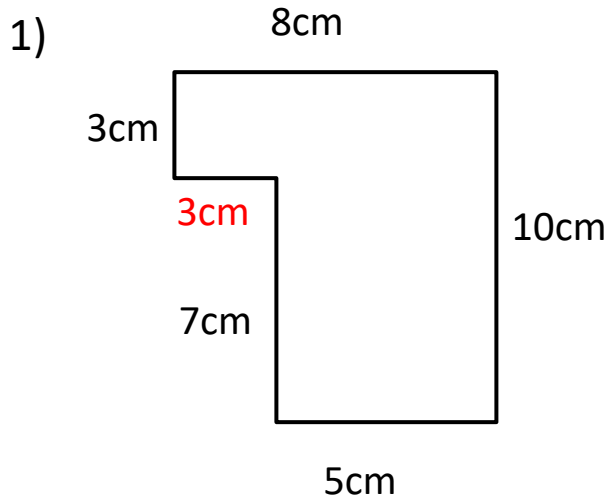
Perimeter = _____ m

Name

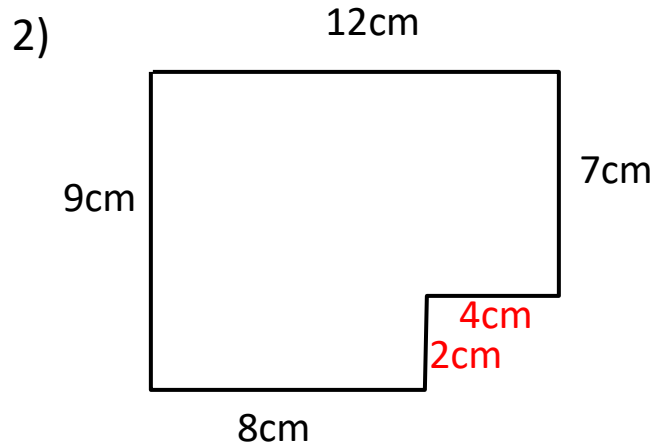
Date



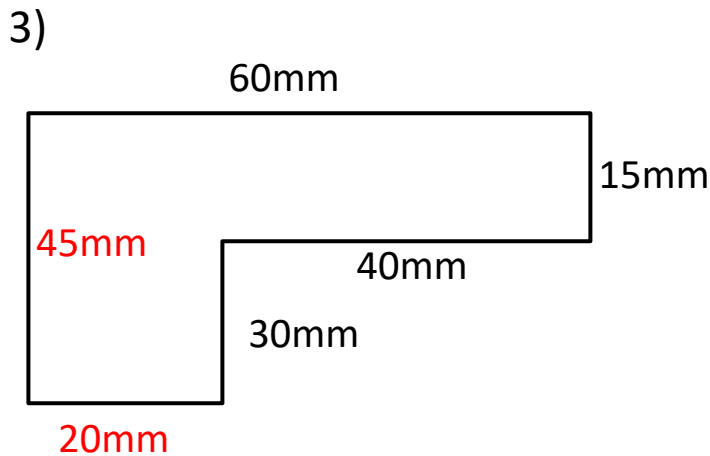
PERIMETER OF RECTILINEAR SHAPES SHEET 1 ANSWERS



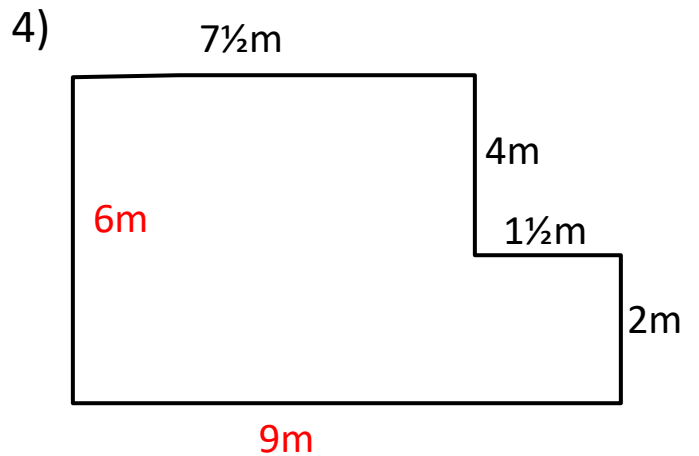
Perimeter = 36 cm



Perimeter = 42 cm



Perimeter = 210 mm



Perimeter = 30 m