

Name \_\_\_\_\_

Date \_\_\_\_\_

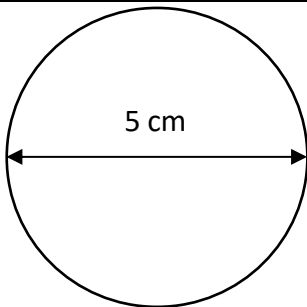


## CIRCUMFERENCE OF A CIRCLE 1B

Work out the circumference of these circles using the diameter measurements.

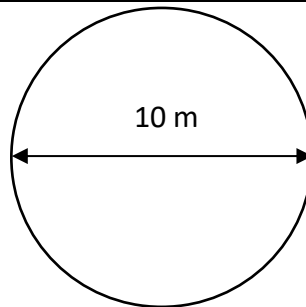
Give your answers to 1dp.

1)



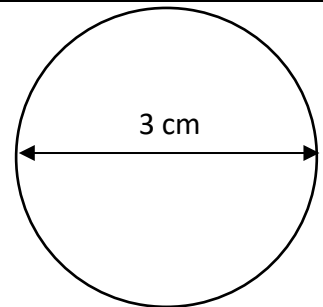
C = \_\_\_\_\_

2)



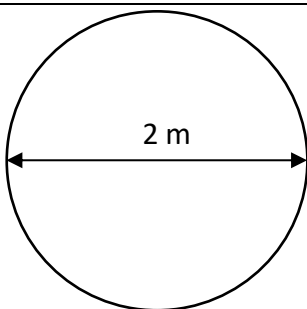
C = \_\_\_\_\_

3)



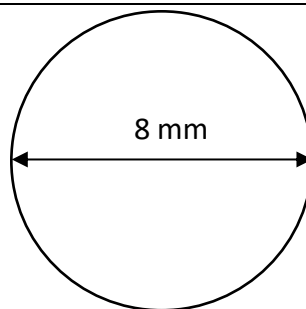
C = \_\_\_\_\_

4)



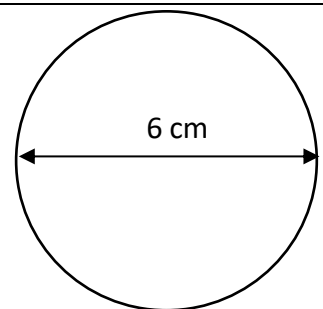
C = \_\_\_\_\_

5)



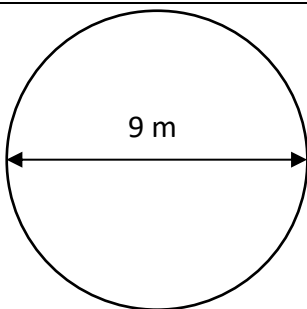
C = \_\_\_\_\_

6)



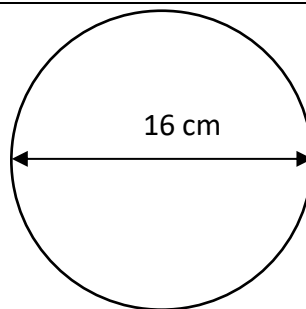
C = \_\_\_\_\_

7)



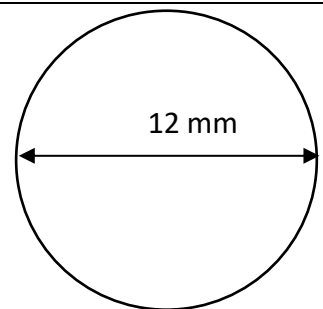
C = \_\_\_\_\_

8)



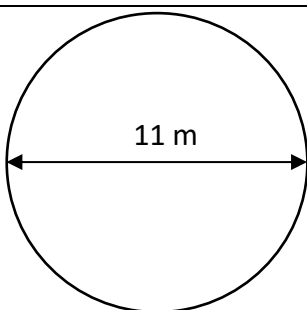
C = \_\_\_\_\_

9)



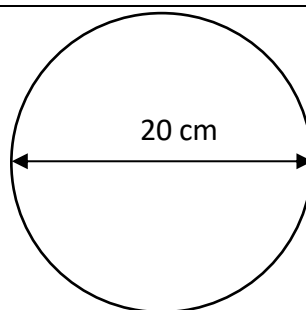
C = \_\_\_\_\_

10)



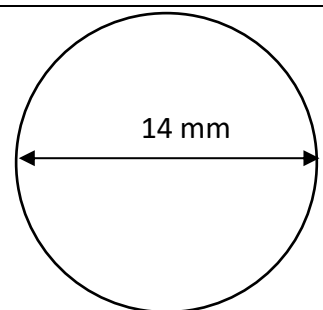
C = \_\_\_\_\_

11)



C = \_\_\_\_\_

12)



C = \_\_\_\_\_

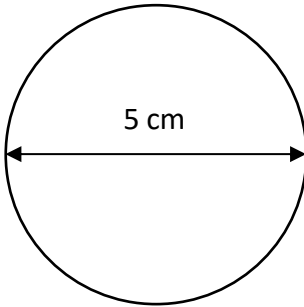
Name

Date



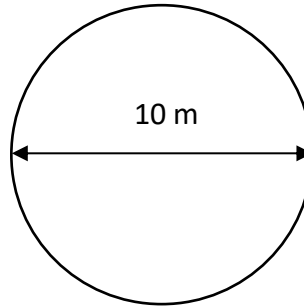
# CIRCUMFERENCE OF A CIRCLE 1B ANSWERS

1)



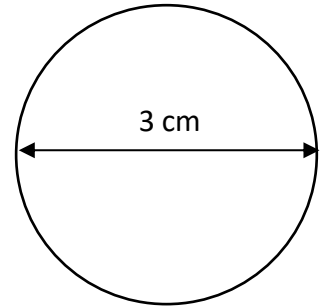
$$C = \underline{15.7 \text{ cm}}$$

2)



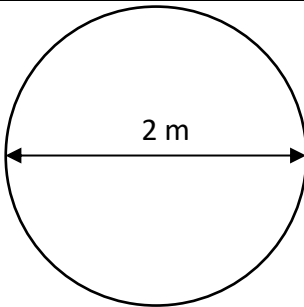
$$C = \underline{31.4 \text{ m}}$$

3)



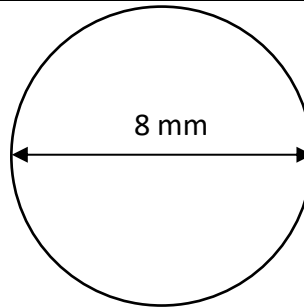
$$C = \underline{9.4 \text{ cm}}$$

4)



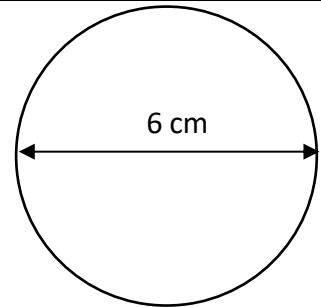
$$C = \underline{6.3 \text{ m}}$$

5)



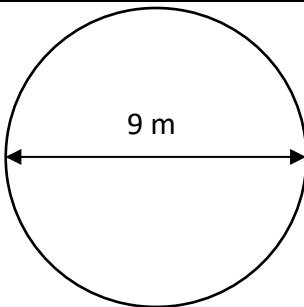
$$C = \underline{25.1 \text{ mm}}$$

6)



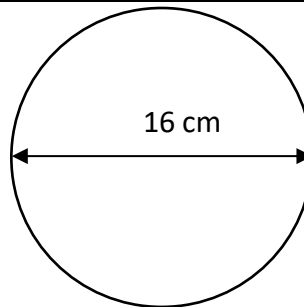
$$C = \underline{18.8 \text{ cm}}$$

7)



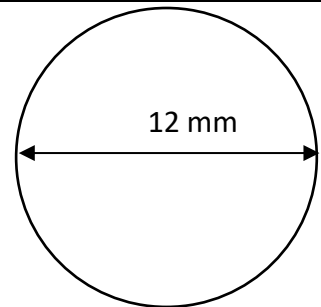
$$C = \underline{28.3 \text{ m}}$$

8)



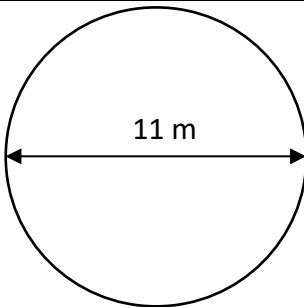
$$C = \underline{50.3 \text{ cm}}$$

9)



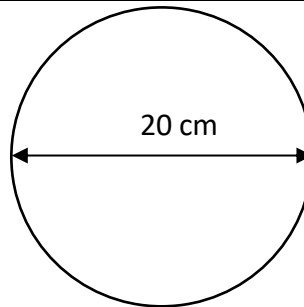
$$C = \underline{37.7 \text{ mm}}$$

10)



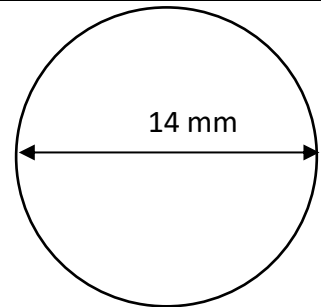
$$C = \underline{34.6 \text{ m}}$$

11)



$$C = \underline{62.8 \text{ cm}}$$

12)



$$C = \underline{44.0 \text{ mm}}$$