

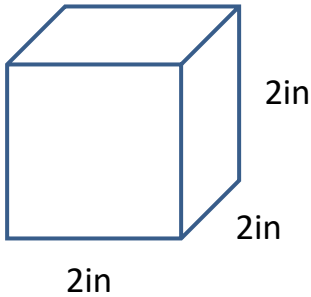
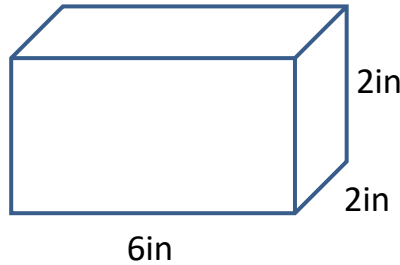

Name _____

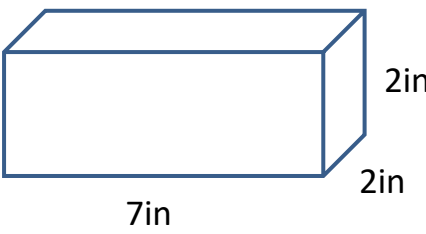
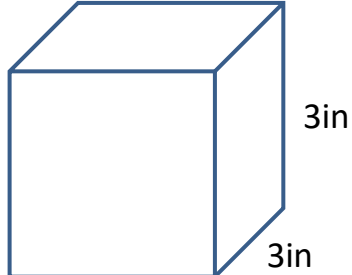
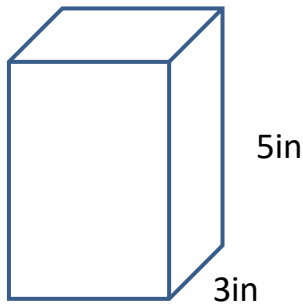
Date _____

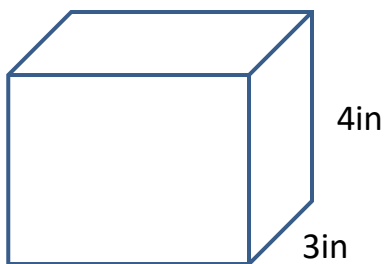
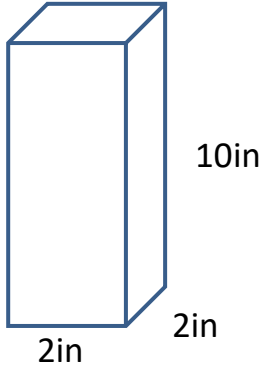



FIND THE VOLUME 2 (STANDARD)

Find the volume of these rectangular prisms. They are not to scale!

		
Volume = _____	Volume = _____	Volume = _____

		
Volume = _____	Volume = _____	Volume = _____

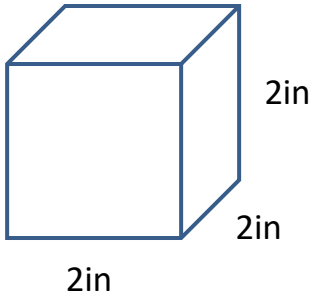
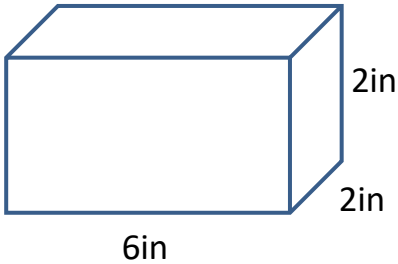
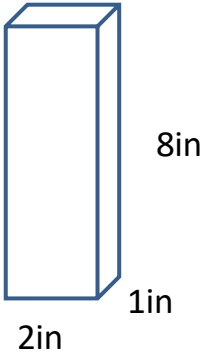
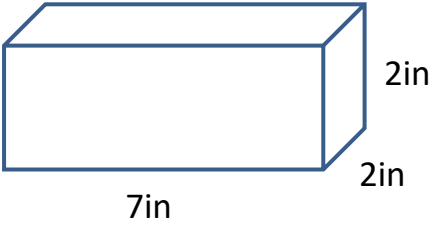
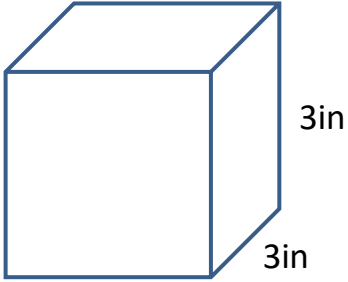
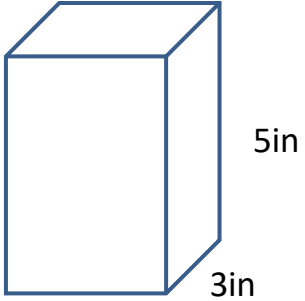
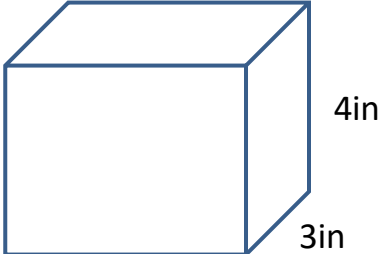
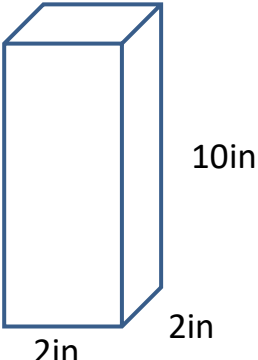
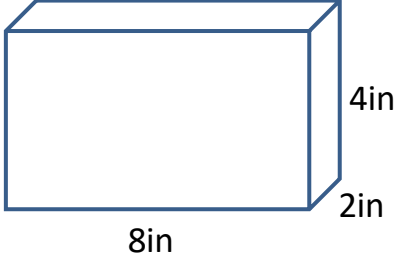
		
Volume = _____	Volume = _____	Volume = _____

Name

Date



FIND THE VOLUME 2 (STANDARD) ANSWERS

 <p>2in 2in 2in</p>	 <p>2in 2in 6in</p>	 <p>8in 1in 2in</p>
Volume = $2 \times 2 \times 2 = 8\text{in}^3$	Volume = $6 \times 2 \times 2 = 24\text{in}^3$	Volume = $2 \times 1 \times 8 = 16\text{in}^3$
 <p>2in 2in 7in</p>	 <p>3in 3in 3in</p>	 <p>5in 3in 3in</p>
Volume = $7 \times 2 \times 2 = 28\text{in}^3$	Volume = $3 \times 3 \times 3 = 27\text{in}^3$	Volume = $3 \times 3 \times 5 = 45\text{in}^3$
 <p>4in 3in 5in</p>	 <p>10in 2in 2in</p>	 <p>4in 2in 8in</p>
Volume = $5 \times 3 \times 4 = 60\text{in}^3$	Volume = $2 \times 2 \times 10 = 40\text{in}^3$	Volume = $8 \times 2 \times 4 = 64\text{in}^3$